

***DOOSAN***

# Parts Book

**GENERATOR ENGINE**

**DM02P**

**DM02-LEP00**

# Introduction

---

This parts list presents the users with the serviceable parts of all the DOOSAN INFRACORE engines type, in the forms of exploded view, parts list and index of parts number

## 1. Information for Engine Suffix :

DM02-LEP00 : DM02P De-Tier IND 74HP 2600RPM POWER UNIT

## 2. Information for Ordering the Parts :

Please contact your nearest parts sales contact point with following information for the part(s) ordered.

E.g. 1) Engine Model : DM02-LEP00

2) Serial No. : 038156

3) Part No. : 150113-00648C

4) Part Name : HEAD ASSY,CYLINDER

5) Order Quantity : 1

6) Name and address of the customer :

## 3. How to use This Part List :

- Key No : The number referring to the corresponding part in the exploded view.
  - Part No : Unique number assigned to the part.
  - Part Name : Name of part.
  - Q'ty : The total number of parts used in the engine system.
  - S/C : Following service symbol are provided.
    - \* NS: Not serviced item
    - \* G : Grade Parts item
- 
- Make sure to use genuine parts.
  - The part list is subject to change for quality improvement without prior notice. To look up a part by the part number, please refer to the index at the end of this document.
  - If you have a question, please do not hesitate to contact our parts sales contact point.
-



# CONTENTS

---

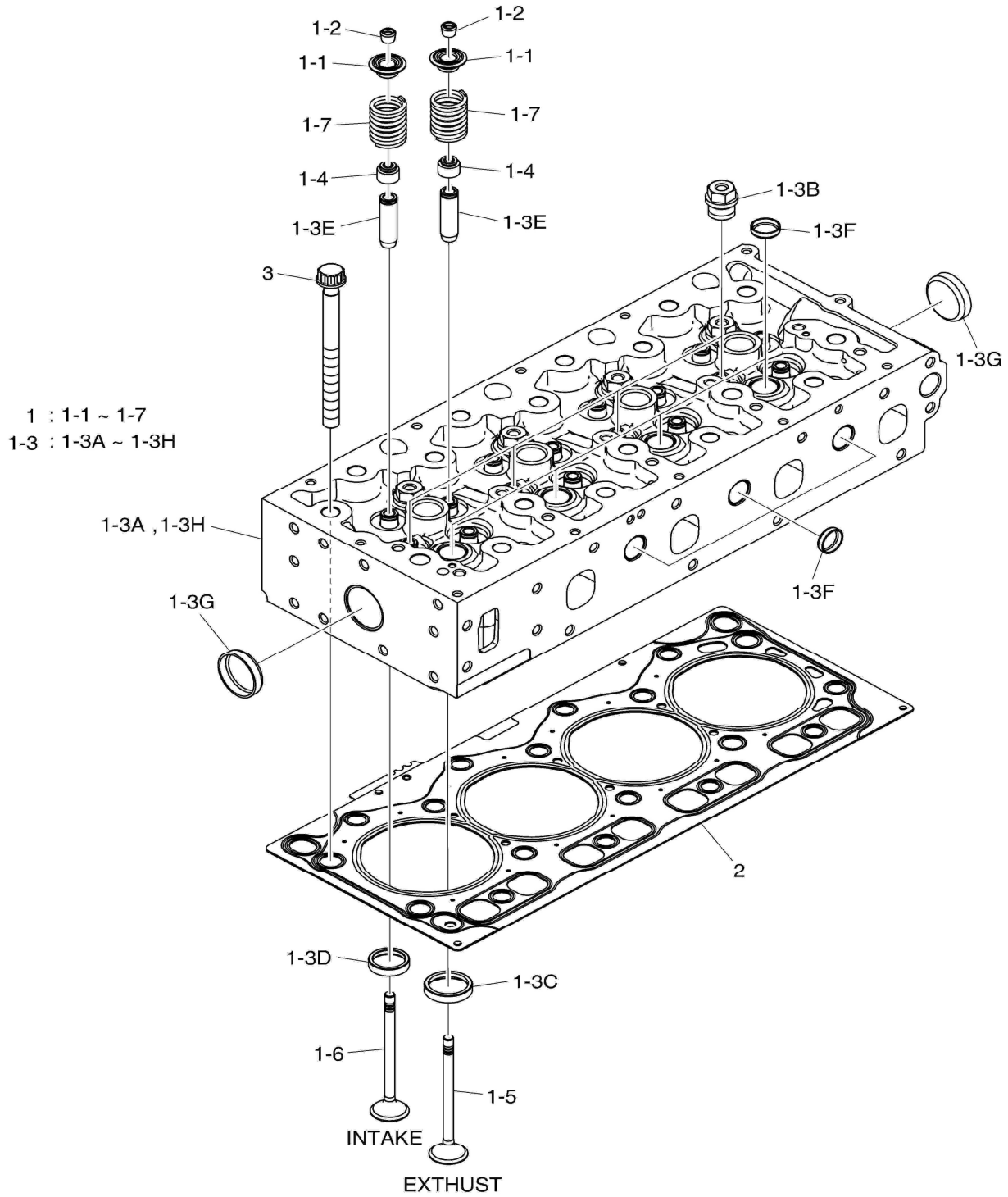
PFG	P101	CYLINDER HEAD
	P102	CYLINDER HEAD COVER
	P103	WATER PUMP
	P104	THERMOSTAT
	P105	BREATHER
	P201	VALVE
	P202	ROCKER ARM
	P203	TAPPET & PUSH ROD
	P204	CAMSHAFT
	P205	CAMSHAFT DRIVE
	P206	TIMING GEAR CASE
	P301	CYLINDER BLOCK
	P303	OIL SPRAY NOZZLE
	P305	FLYWHEEL HOUSING
	P306	ENGINE LIFTING
	P308	OIL PUMP
	P309	OIL FILTER
	P311	OIL PAN
	P401	OIL SEAL
	P402	PISTON
	P403	CONNECTING ROD
	P404	CRANKSHAFT
	P405	CRANKSHAFT PULLEY
	P407	FLYWHEEL
	P501	INJECTION PUMP
	P502	INJECTION NOZZLE
	P503	INJECTION PIPE
	P505	FUEL LINE
	P601	INTAKE MANIFOLD
	P602	EXHAUST MANIFOLD
	P603	TURBOCHARGER
	P603	TURBOCHARGER
	P604	EGR
	P607	INTAKE STAKE
	P701	STARTER
	P703	ALTERNATOR
	P704	AIR HTR RELAY & GLOW PLUG
	P705	WIRE HARNESS
	P709	SWITCH & SENSOR
	P713	E.C.U
	P801	ALTERNATOR MOUNTING
	P805	POWER TAKE OFF

---

---

PFG	P815	COOLING FAN
	P901	GENERAL ACCESSORIES-HEAD&COOLING
	P901	GENERAL ACCESSORIES-HEAD&COOLING
	P903	GENERAL ACCESSORIES-BLOCK&LUBRICATION
	P905	GENERAL ACCESSORIES-FIE&AFTER TREATMENT
	P906	GENERAL ACCESSORIES-INTAKE/EXHAUST

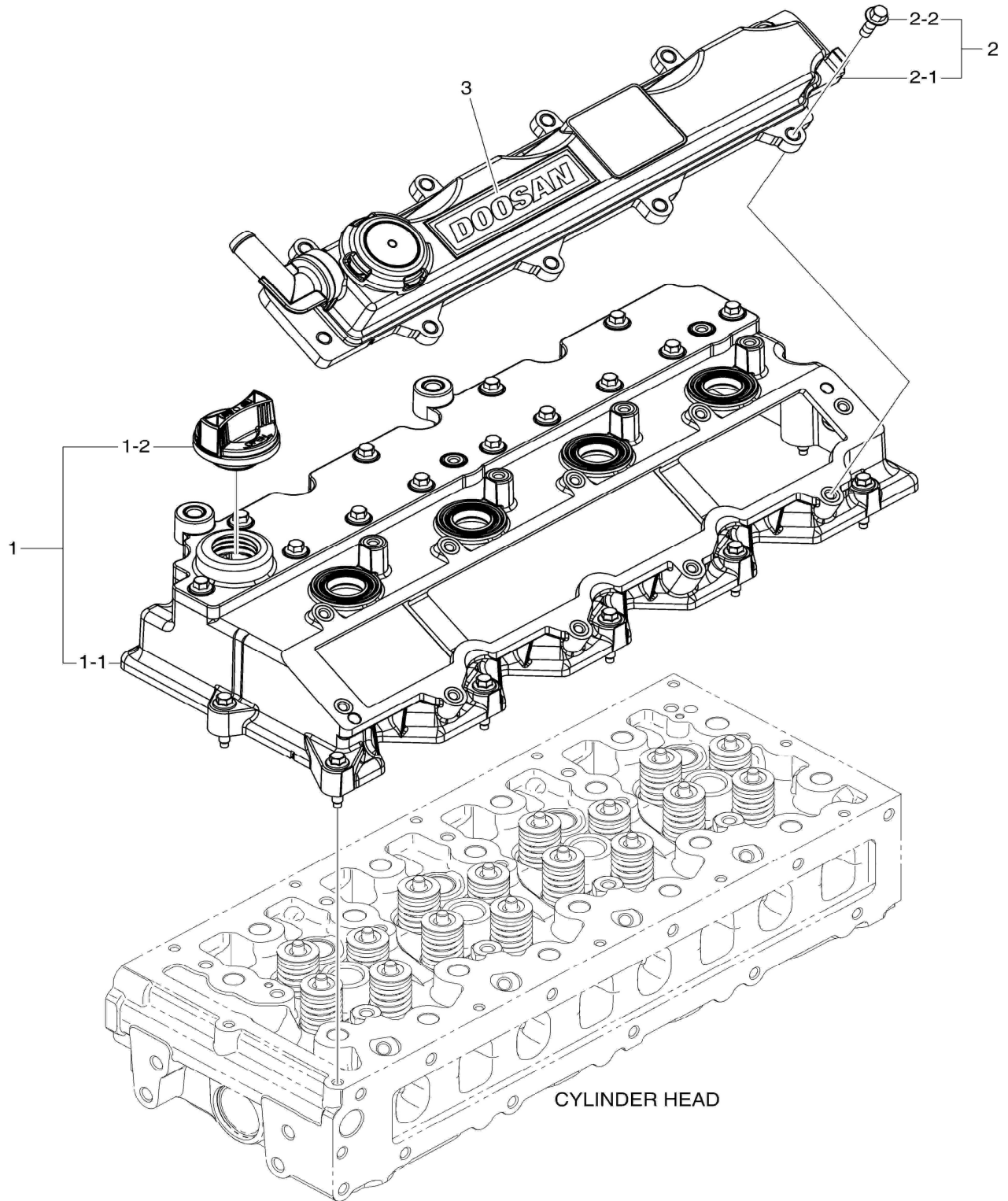
# P101 CYLINDER HEAD



## P101 CYLINDER HEAD

Key No	Part No.	Parts Name	Parts Name	Q'ty	S/C
1	150113-00648C	HEAD ASSY,CYLINDER	HEAD ASSY,CYLINDER	1	
1-1	110943-00011A	RETAINER	RETAINER	16	
1-2	110971-00040	COTTER	COTTER	32	
1-3	150113-00696C	HEAD ASSY,CYLINDER	HEAD ASSY,CYLINDER	1	NS
1-3A	150113-00700B	HEAD,CYLINDER	HEAD,CYLINDER	1	NS
1-3B	430221-01683	PLUG,SCREW	PLUG,SCREW	4	
1-3C	410206-00004C	SEAT,VALVE (EXHAUST)	SEAT,VALVE (EXHAUST)	8	
1-3D	410206-00190	SEAT,VALVE (INTAKE)	SEAT,VALVE (INTAKE)	8	
1-3E	110922-00008A	GUIDE,VALVE	GUIDE,VALVE	16	
1-3F	65.90302-0045	PLUG,CORE	PLUG,CORE	7	
1-3G	65.90302-0032	PLUG,CORE	PLUG,CORE	2	
1-3H	150113-01014	HEAD,CYLINDER (LCC)	HEAD,CYLINDER (LCC)	1	NS
1-4	401112-00001	SEAL,VALVE STEM	SEAL,VALVE STEM	16	
1-5	410112-00088	VALVE,EXHAUST	VALVE,EXHAUST	8	
1-6	410112-00089	VALVE,INTAKE	VALVE,INTAKE	8	
1-7	111601-00128	SPRING,VALVE	SPRING,VALVE	16	
2	400603-00151	GASKET,CYLINDER HEAD	GASKET,CYLINDER HEAD	1	NS
3	120106-00169A	BOLT,CYLINDER HEAD M11x1.25x130	BOLT,CYLINDER HEAD M11x1.25x130	18	

# P102 CYLINDER HEAD COVER

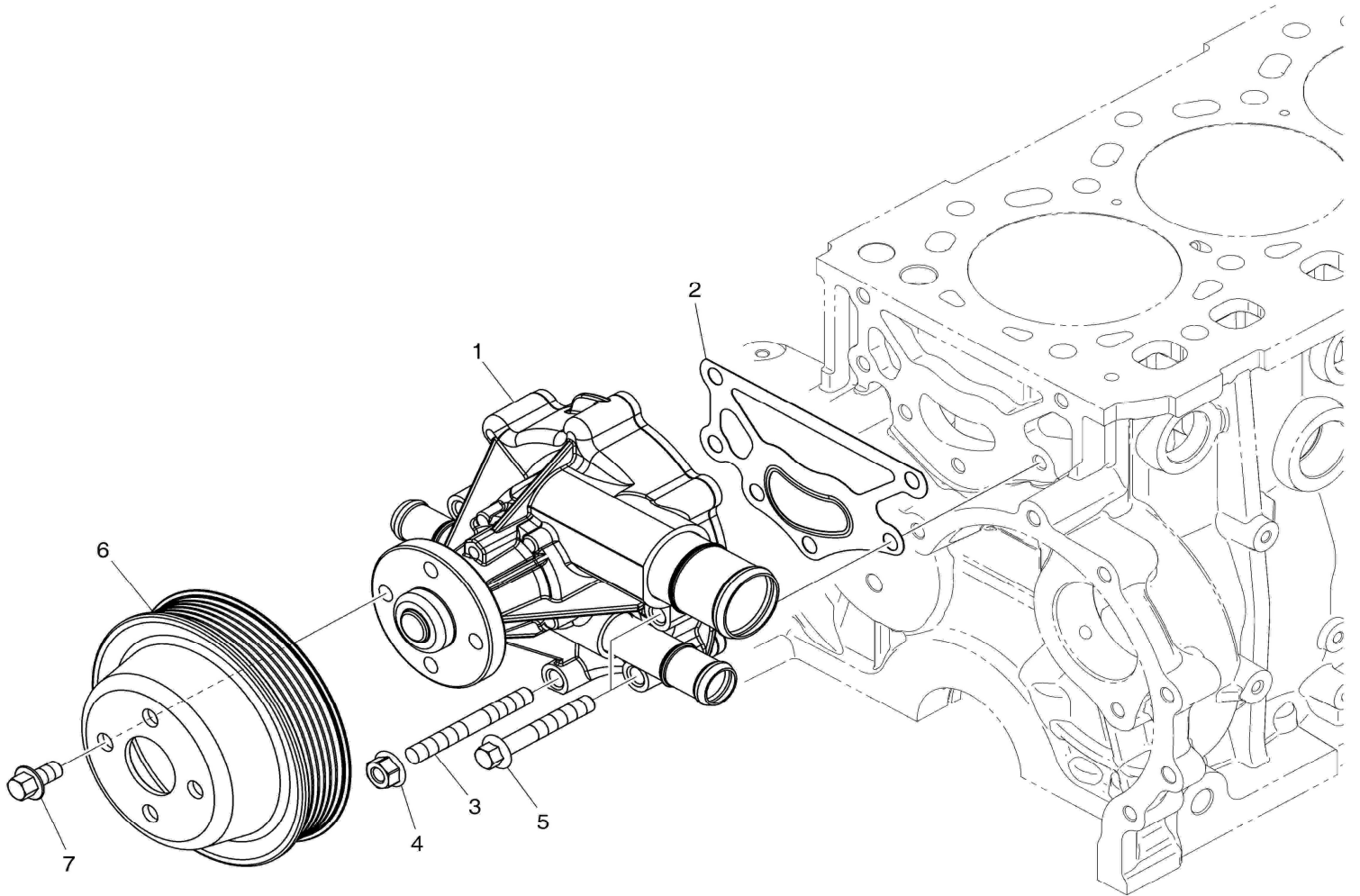


## P102 CYLINDER HEAD COVER

Key No	Part No.	Parts Name	Parts Name	Q'ty	S/C
1	150106-00274A	COVER ASSY,CYLINDER HEAD	COVER ASSY,CYLINDER HEAD	1	
1-1	150106-00276A	COVER ASSY,CYLINDER HEAD	COVER ASSY,CYLINDER HEAD	1	NS
1-2	110911-00161A	CAP ASSY,OIL FILLER	CAP ASSY,OIL FILLER	1	
2	150106-00414	COVER ASSY,CYLINDER HEAD (RH)	COVER ASSY,CYLINDER HEAD (RH)	1	NS
2-1	150106-00275B	COVER,CYLINDER HEAD	COVER,CYLINDER HEAD	1	
2-2	89CM620	BOLT,HEX FLANGE M6x1.0x20	BOLT,HEX FLANGE M6x1.0x20	10	
3	950212-03967	STICKER	STICKER	1	

# P103 WATER PUMP

---



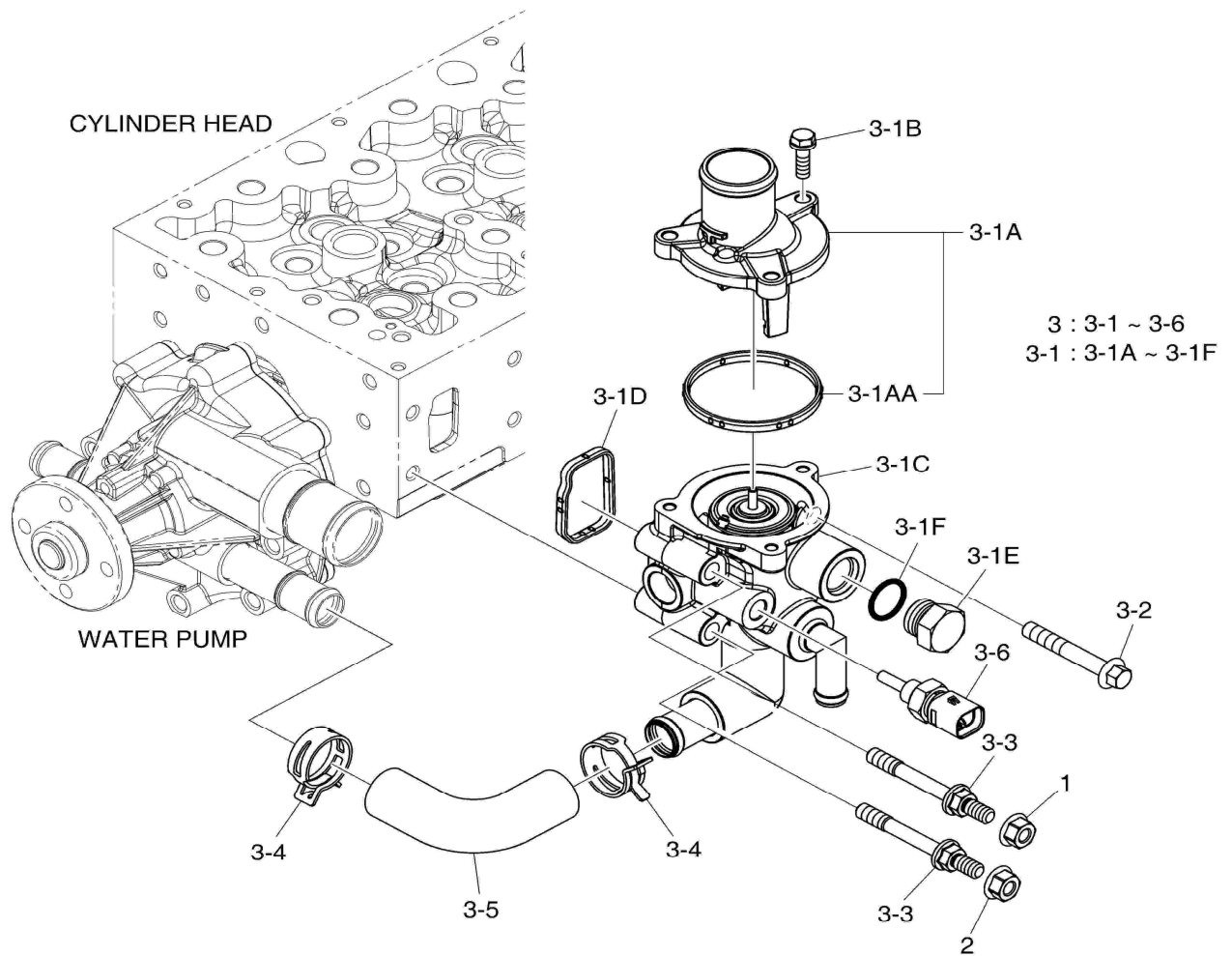
CYLINDER BLOCK

## P103 WATER PUMP

Key No	Part No.	Parts Name	Parts Name	Q'ty	S/C
1	400921-00566D	PUMP ASSY,WATER	PUMP ASSY,WATER	1	
2	400602-00104A	GASKET	GASKET	1	
3	120117-00200B	BOLT,STUD M8x1.25	BOLT,STUD M8x1.25	2	
4	43DM8	NUT M8x1.25	NUT M8x1.25	2	
5	89CM855	BOLT,HEX FLANGE M8x1.25x55	BOLT,HEX FLANGE M8x1.25x55	4	
6	130707-00034	PULLEY,WATER PUMP	PULLEY,WATER PUMP	1	
7	89CM816	BOLT,HEX FLANGE M8x1.25x16	BOLT,HEX FLANGE M8x1.25x16	4	



# P104 THERMOSTAT

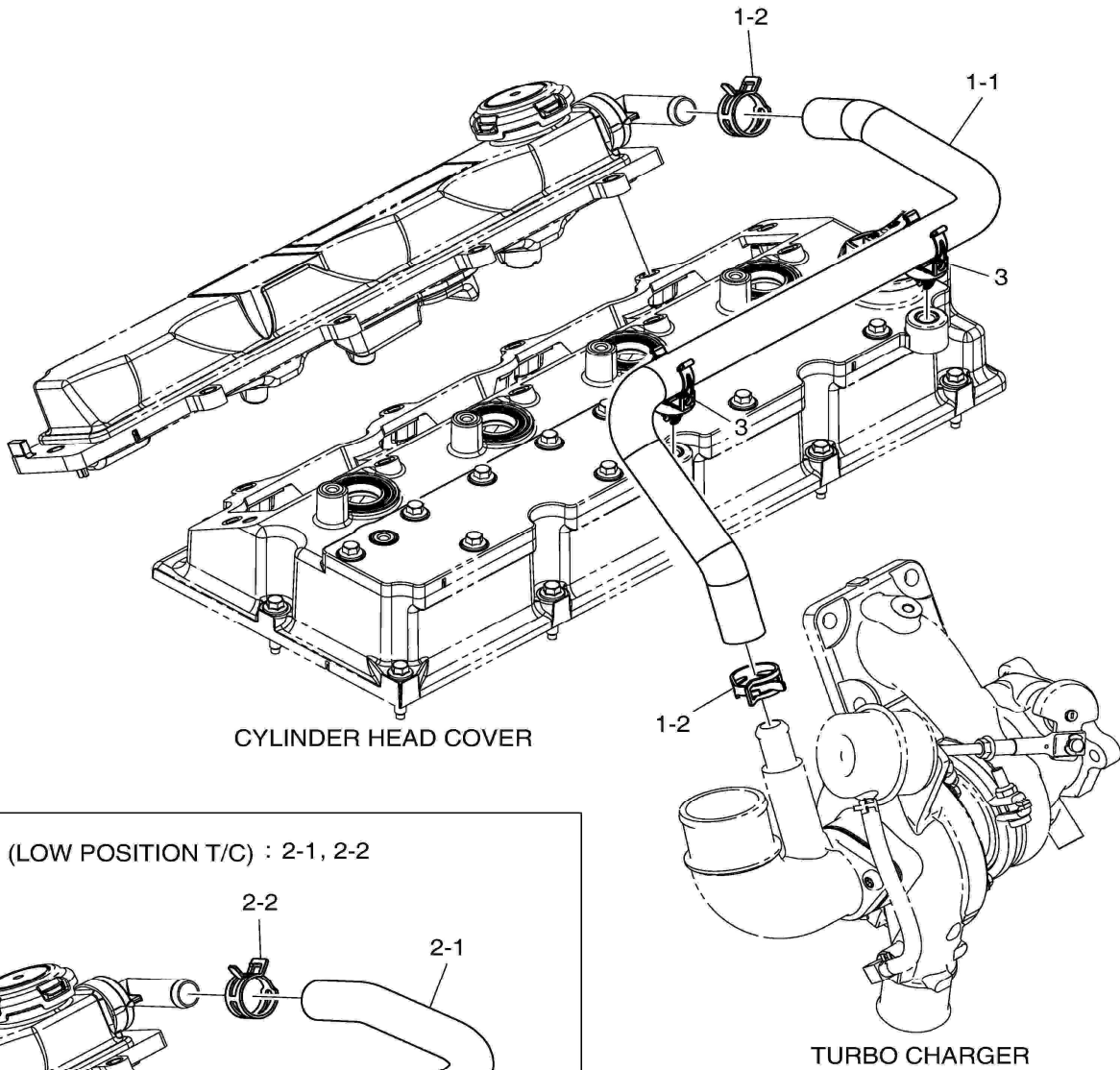


## P104 THERMOSTAT

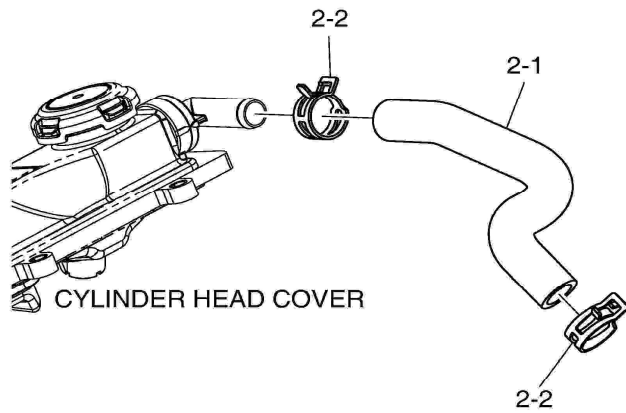
Key No	Part No.	Parts Name	Parts Name	Q'ty	S/C
1	43DM8	NUT M8x1.25	NUT M8x1.25	1	
2	43DM8	NUT M8x1.25	NUT M8x1.25	1	
3	110980-00365	HOUSING ASSY,THERMOSTAT	HOUSING ASSY,THERMOSTAT	1	
3-1	110980-00024H	HOUSING ASSY,THERMOSTAT	HOUSING ASSY,THERMOSTAT	1	
3-1A	300738-00129	THERMOSTAT ASSY (82! )	THERMOSTAT ASSY (82! )	1	
3-1AA	400606-00909	PACKING,COVER	PACKING,COVER	1	
3-1B	120106-00589	BOLT,HEX M6x1.0x20	BOLT,HEX M6x1.0x20	3	
3-1C	110980-00100C	HOUSING,THERMOSTAT	HOUSING,THERMOSTAT	1	
3-1D	400606-00910	PACKING,RUBBER	PACKING,RUBBER	1	
3-1E	430221-00982	SCREW,PLUG PT3/4	SCREW,PLUG PT3/4	1	
3-1F	401002-01173	O-RING	O-RING	1	
3-2	89CM855	BOLT,HEX FLANGE M8x1.25x55	BOLT,HEX FLANGE M8x1.25x55	2	
3-3	120122-00091	BOLT,SPACER M8x1.25 (8.8T)	BOLT,SPACER M8x1.25 (8.8T)	2	
3-4	120202-00118	CLAMP,HOSE	CLAMP,HOSE	2	
3-5	420108-00048B	HOSE,BY PASS	HOSE,BY PASS	1	
3-6	301317-00014D	SENSOR,COOLANT TEMP.	SENSOR,COOLANT TEMP.	1	

# P105 BREATHER

1 (HIGH POSITION T/C) : 1-1, 1-2



2 (LOW POSITION T/C) : 2-1, 2-2

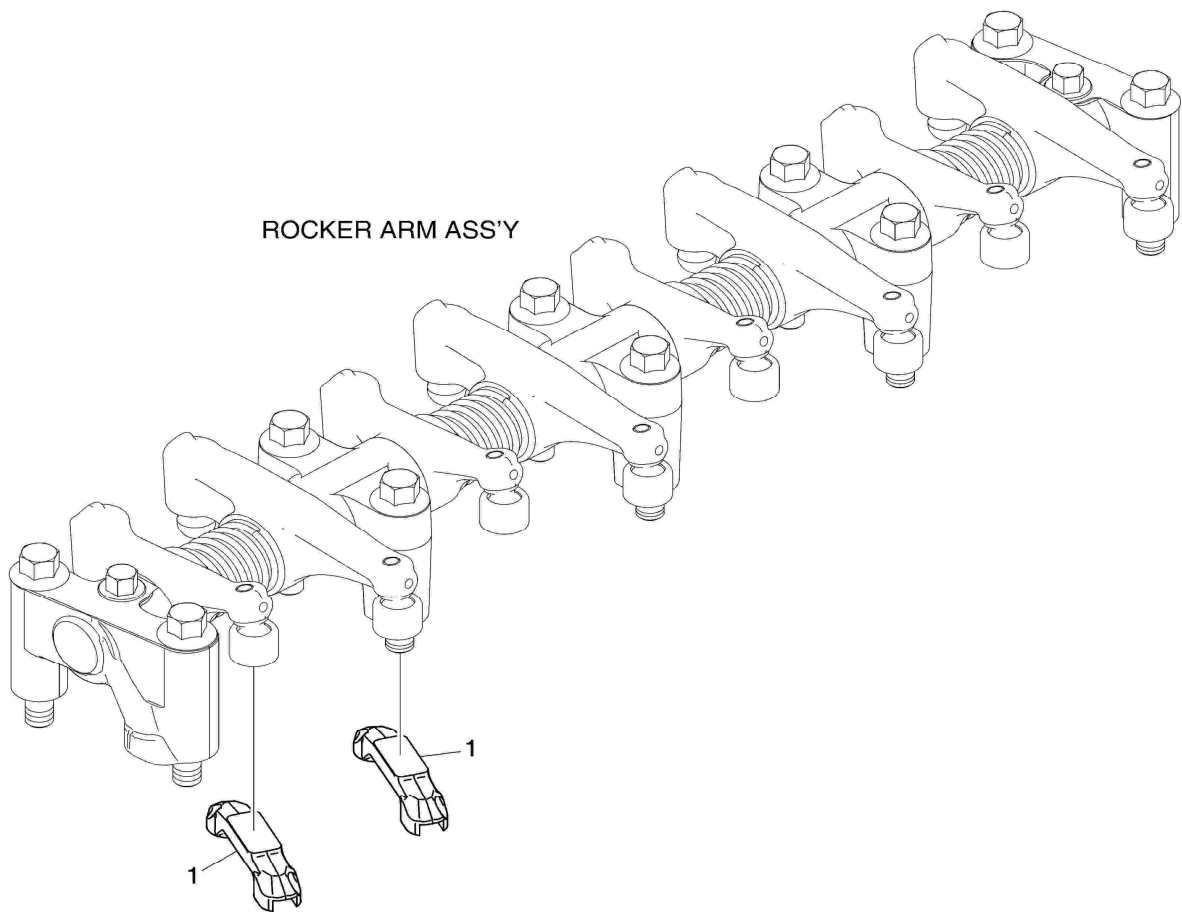


## P105 BREATHER

Key No	Part No.	Parts Name	Parts Name	Q'ty	S/C
1	420108-02313	HOSE ASSY	HOSE ASSY	1	NS
1-1	420108-01934A	HOSE,RUBBER	HOSE,RUBBER	1	
1-2	120202-00129	CLAMP,HOSE	CLAMP,HOSE	2	
2	420108-02312	HOSE ASSY	HOSE ASSY	1	NS
2-1	420108-01932A	HOSE,RUBBER	HOSE,RUBBER	1	
2-2	120202-00129	CLAMP,HOSE	CLAMP,HOSE	2	
3	120402-00043A	CLIP,HOSE	CLIP,HOSE	2	

# P201 VALVE

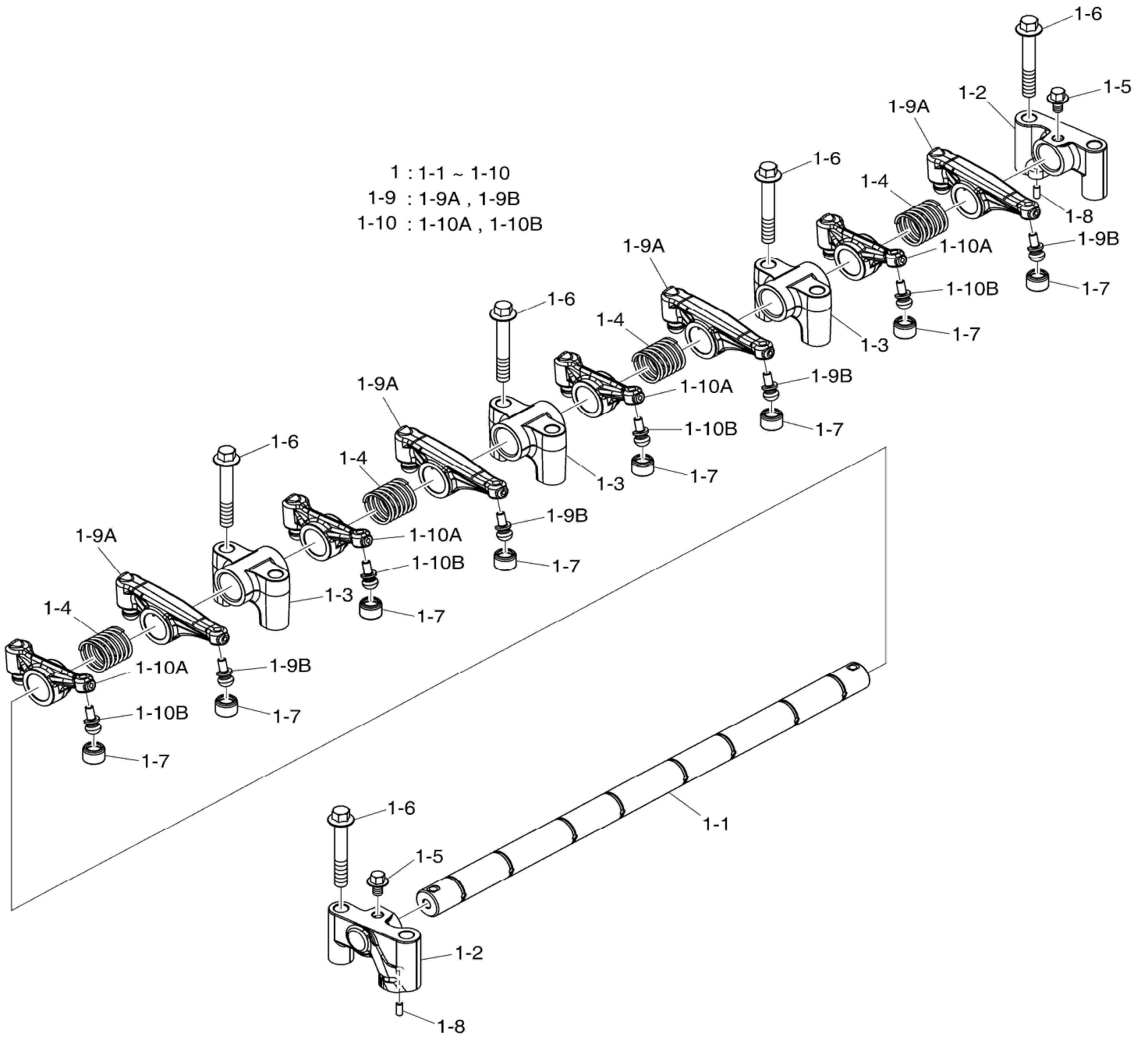
---



# P201 VALVE

Key No	Part No.	Parts Name	Parts Name	Q'ty	S/C
1	150124-00033	CALIPER	CALIPER	8	

# P202 ROCKER ARM



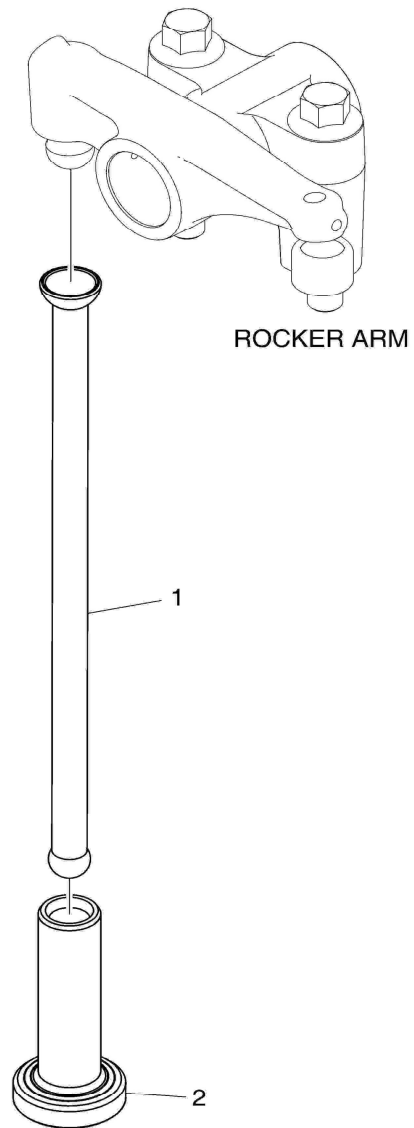
## P202 ROCKER ARM

Key No	Part No.	Parts Name	Parts Name	Q'ty	S/C
1	150122-00150G	SHAFT ASSY,ROCKER ARM	SHAFT ASSY,ROCKER ARM	1	
1-1	150122-00149	SHAFT,ROCKER ARM	SHAFT,ROCKER ARM	1	
1-2	110424-00054	BRACKET,ROCKER ARM	BRACKET,ROCKER ARM	2	
1-3	110424-00055	BRACKET,ROCKER ARM	BRACKET,ROCKER ARM	3	
1-4	111602-00120	SPRING,COMPRESSION	SPRING,COMPRESSION	4	
1-5	120106-01421	BOLT,HEX FLANGE M6x1.0x10	BOLT,HEX FLANGE M6x1.0x10	2	
1-6	89CM855	BOLT,HEX FLANGE M8x1.25x55	BOLT,HEX FLANGE M8x1.25x55	10	
1-7	120701-00078	CAP,ADJUST SCREW	CAP,ADJUST SCREW	8	
1-8	06.22022-0707	PIN,PARALLEL	PIN,PARALLEL	2	
1-9	150101-00260	ARM ASSY,ROCKER (INTAKE)	ARM ASSY,ROCKER (INTAKE)	4	
1-9A	150101-00138	ARM ASSY,ROCKER (INTAKE)	ARM ASSY,ROCKER (INTAKE)	4	NS
1-9B	120503-00015	PIN,HEAD	PIN,HEAD	4	NS
1-10	150101-00261	ARM ASSY,ROCKER (EXHAUST)	ARM ASSY,ROCKER (EXHAUST)	4	
1-10A	150101-00139	ARM ASSY,ROCKER (EXHAUST)	ARM ASSY,ROCKER (EXHAUST)	4	NS
1-10B	120503-00015	PIN,HEAD	PIN,HEAD	4	NS



# P203 TAPPET & PUSH ROD

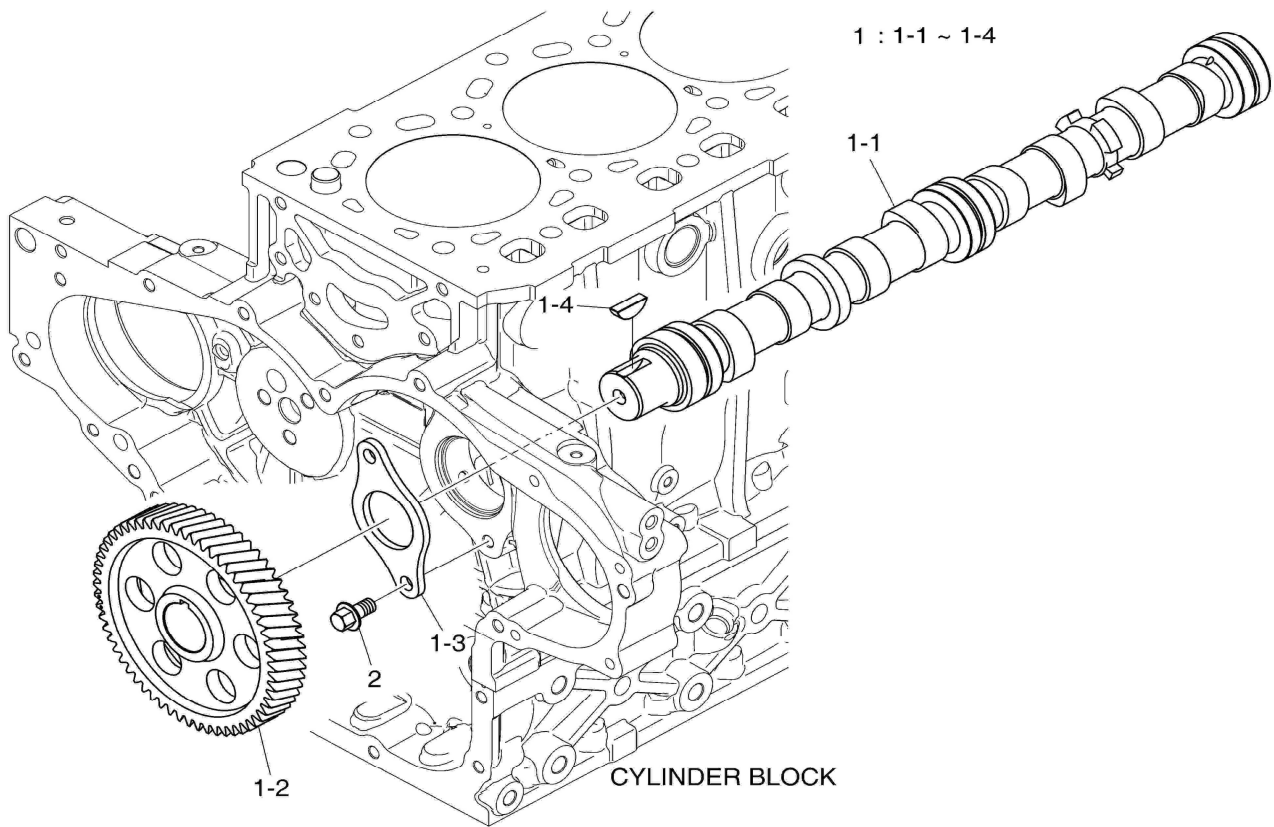
---



## P203 TAPPET & PUSH ROD

Key No	Part No.	Parts Name	Parts Name	Q'ty	S/C
1	150123-00199	ROD,PUSH	ROD,PUSH	8	
2	150125-00044	TAPPET	TAPPET	8	

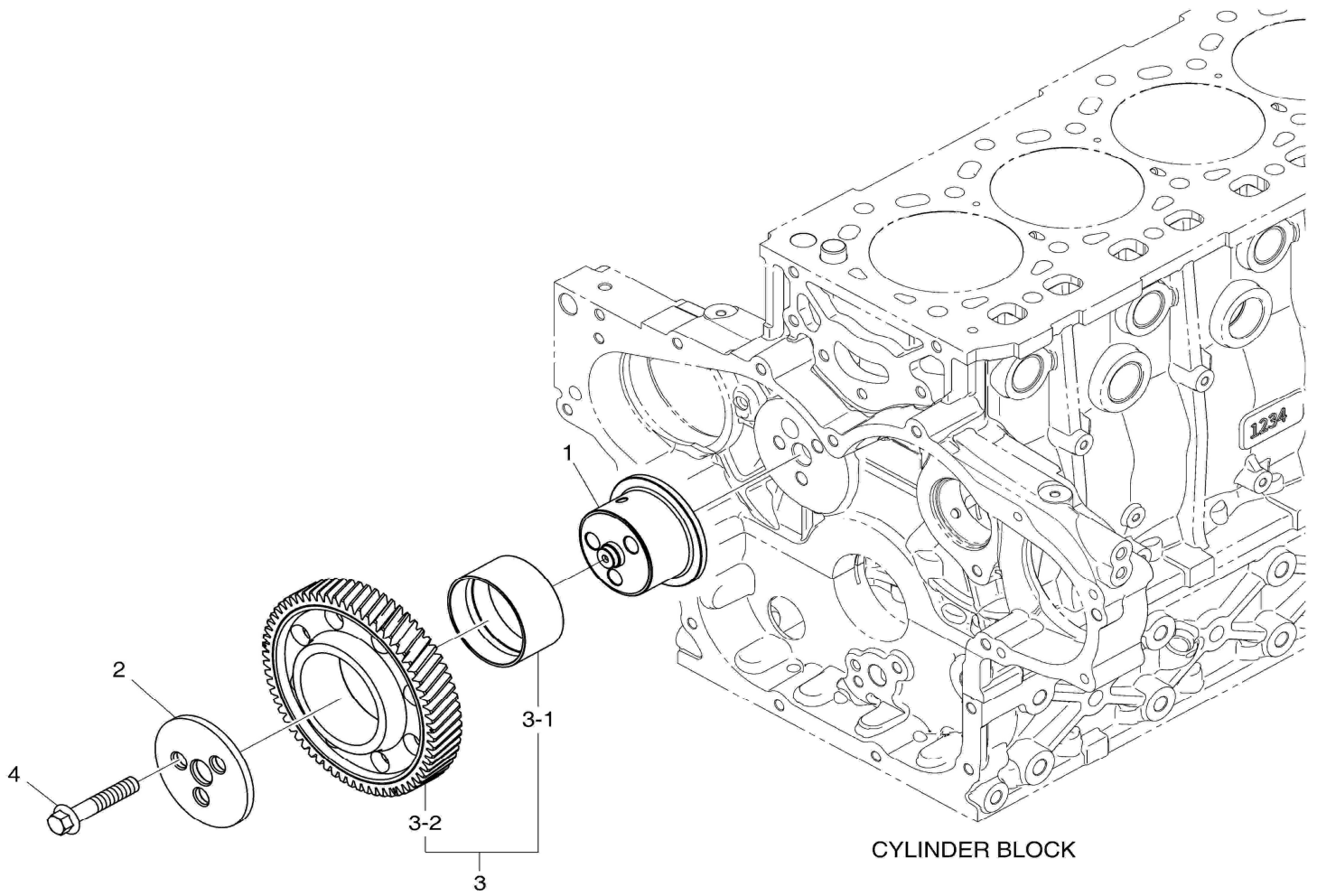
# P204 CAMSHAFT



## P204 CAMSHAFT

Key No	Part No.	Parts Name	Parts Name	Q'ty	S/C
1	150103-00185D	CAMSHAFT ASSY	CAMSHAFT ASSY	1	
1-1	150103-00184B	CAMSHAFT	CAMSHAFT	1	
1-2	130408-00049	GEAR,CAMSHAFT	GEAR,CAMSHAFT	1	
1-3	120816-00262A	WASHER,THRUST	WASHER,THRUST	1	
1-4	06.29141-0215	KEY,WOODRUFF	KEY,WOODRUFF	1	
2	89CM816	BOLT,HEX FLANGE M8x1.25x16	BOLT,HEX FLANGE M8x1.25x16	2	

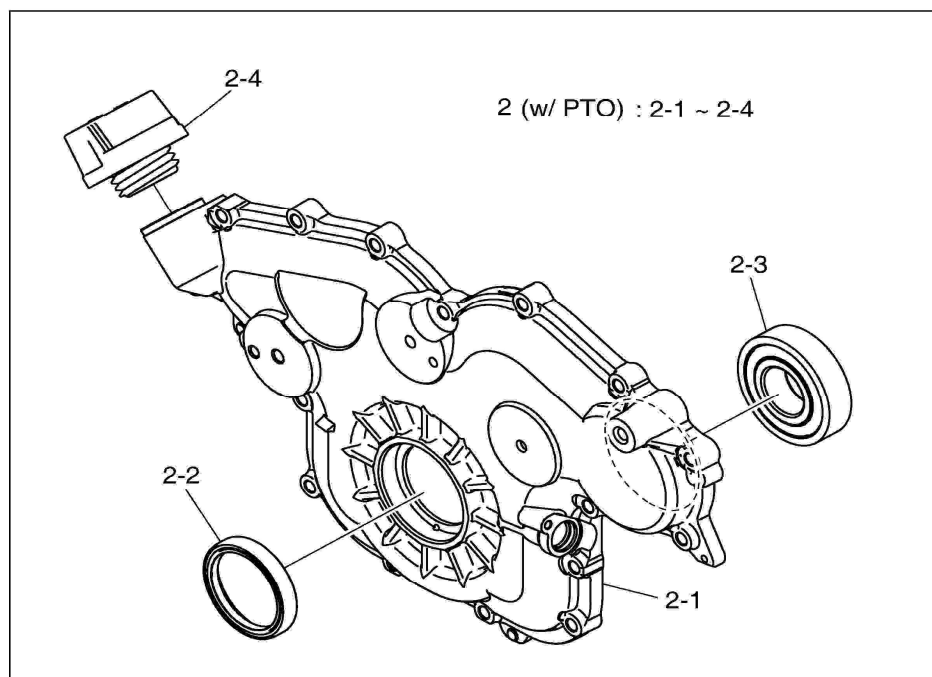
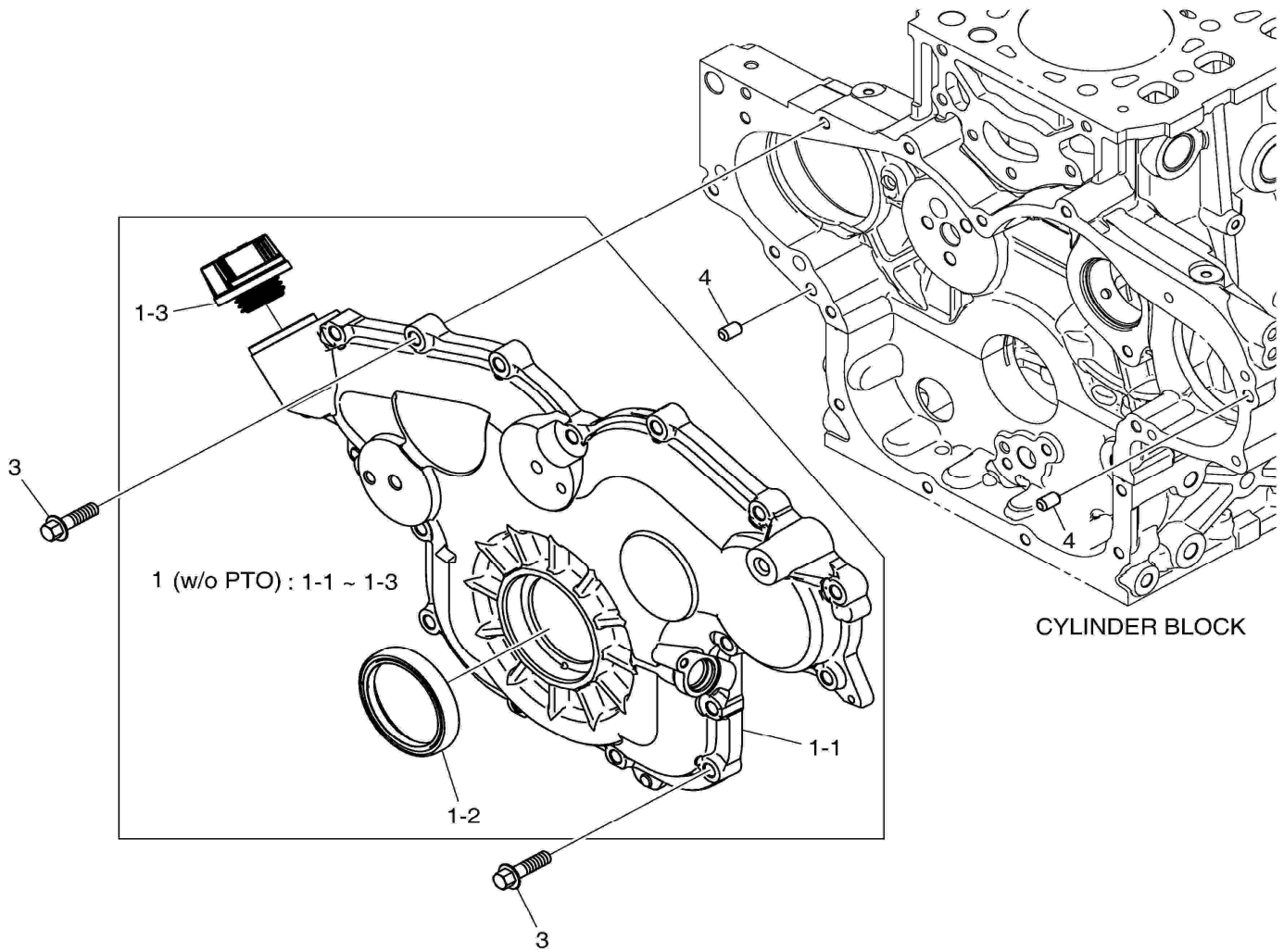
# P205 CAMSHAFT DRIVE



## P205 CAMSHAFT DRIVE

Key No	Part No.	Parts Name	Parts Name	Q'ty	S/C
1	130712-02583A	SHAFT,PTO IDLE GEAR	SHAFT,PTO IDLE GEAR	1	
2	120816-00246	WASHER,THRUST	WASHER,THRUST	1	
3	130428-00216C	GEAR ASSY,PTO IDLE	GEAR ASSY,PTO IDLE	1	
3-1	130717-00003	BUSHING,GEAR	BUSHING,GEAR	1	
3-2	130428-00215C	GEAR,PTO IDLE	GEAR,PTO IDLE	1	NS
4	89CM1055	BOLT,HEX FLANGE M10x55	BOLT,HEX FLANGE M10x55	3	

# P206 TIMING GEAR CASE

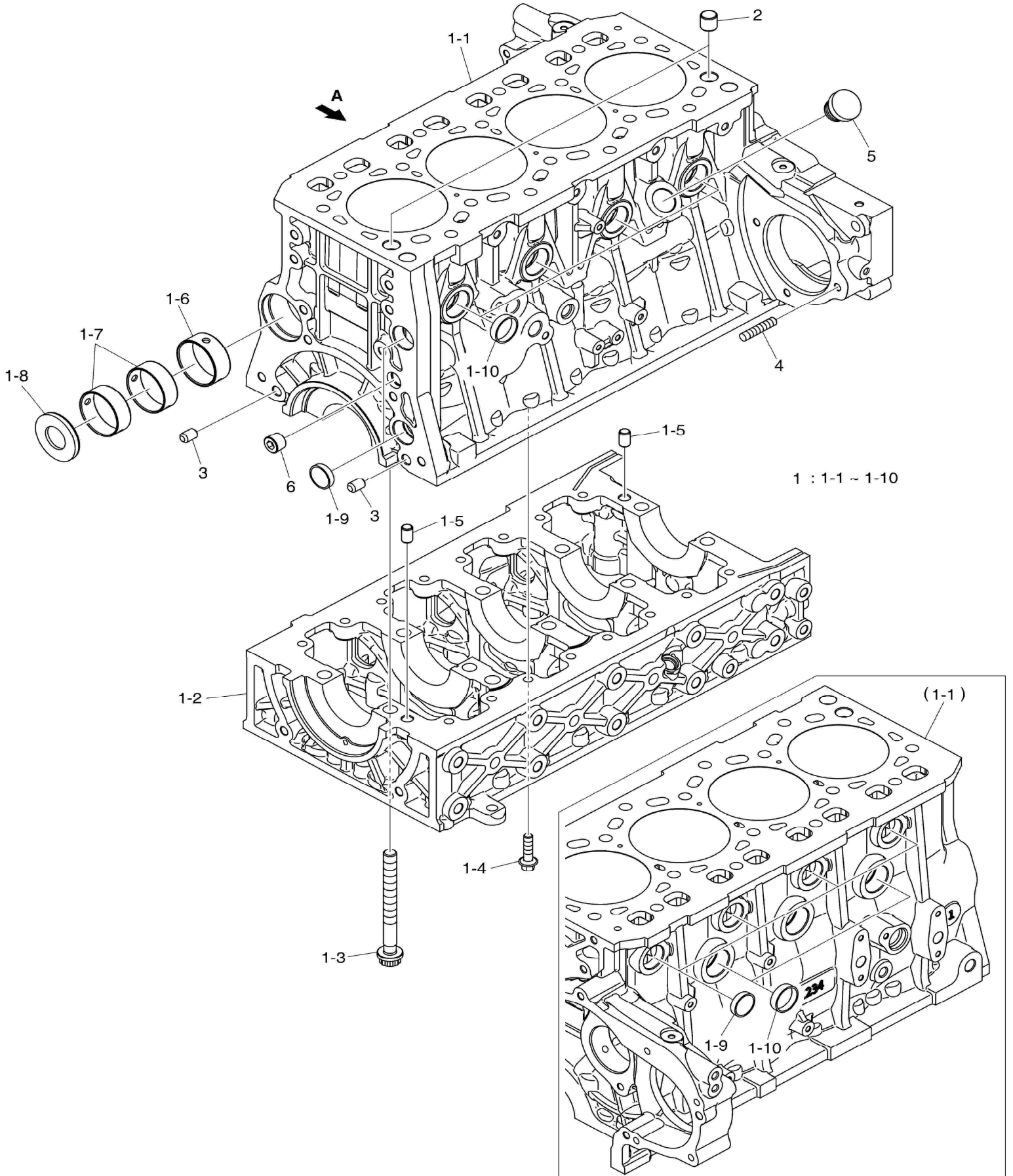


## P206 TIMING GEAR CASE

Key No	Part No.	Parts Name	Parts Name	Q'ty	S/C
1	110512-00094D	COVER,TIMING GEAR CASE	COVER,TIMING GEAR CASE	1	
1-1	110512-00167A	COVER,TIMING GEAR CASE	COVER,TIMING GEAR CASE	1	
1-2	401106-00570	SEAL,OIL (FRONT)	SEAL,OIL (FRONT)	1	
1-3	110911-00161A	CAP ASSY,OIL FILLER	CAP ASSY,OIL FILLER	1	
2	110512-00119B	COVER,TIMING GEAR CASE (FOR...	COVER,TIMING GEAR CASE (FOR...	1	
2-1	110512-00120A	COVER,TIMING GEAR CASE	COVER,TIMING GEAR CASE	1	
2-2	401106-00570	SEAL,OIL (FRONT)	SEAL,OIL (FRONT)	1	
2-3	140101-01297A	BEARING,BALL	BEARING,BALL	1	
2-4	110911-00161A	CAP ASSY,OIL FILLER	CAP ASSY,OIL FILLER	1	
3	89CM830	BOLT,HEX FLANGE M8x1.25x30	BOLT,HEX FLANGE M8x1.25x30	17	
4	06.22022-1009	PIN,PARALLEL	PIN,PARALLEL	2	



# P301 CYLINDER BLOCK



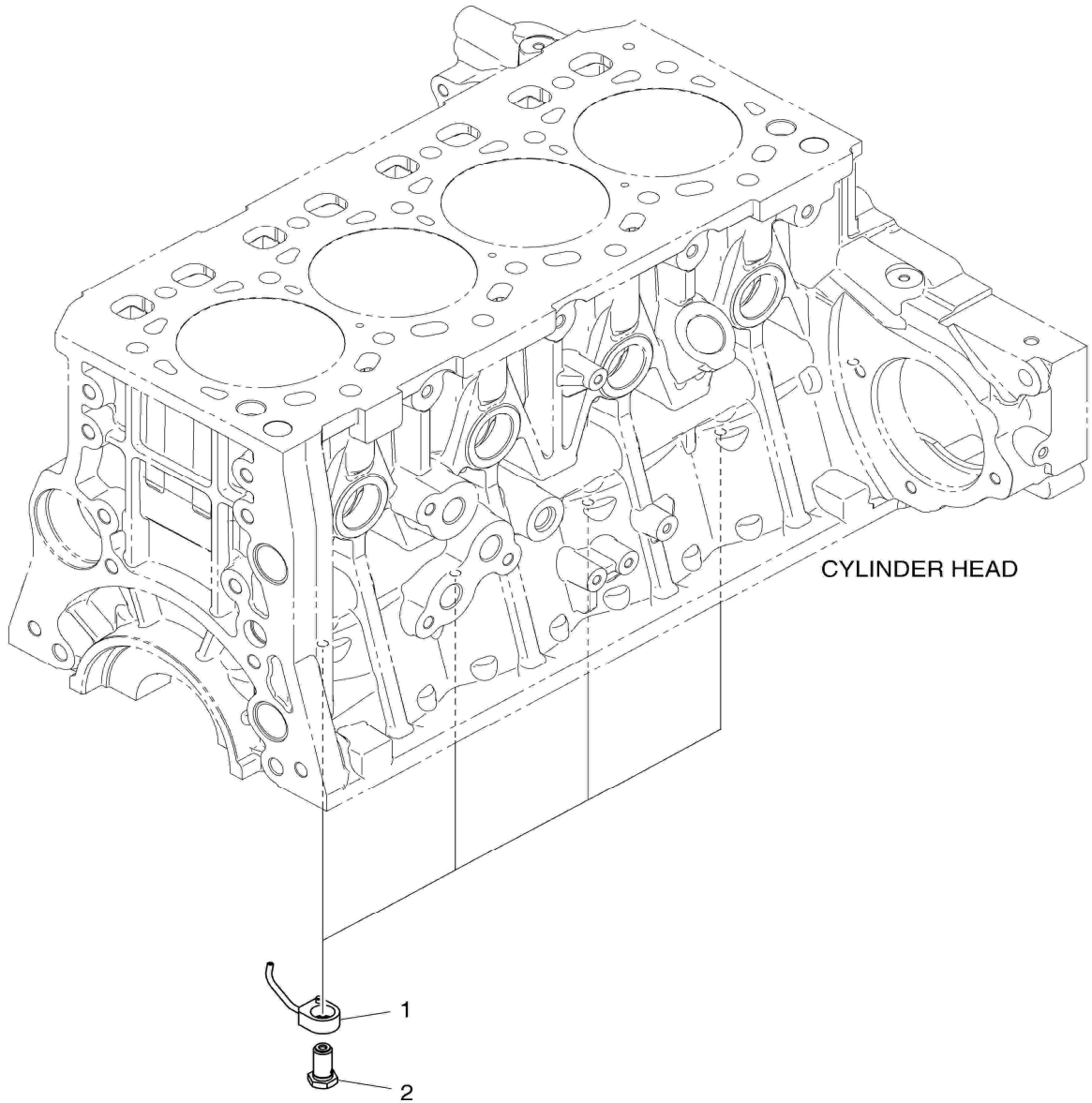
VIEW A

## P301 CYLINDER BLOCK

Key No	Part No.	Parts Name	Parts Name	Q'ty	S/C
1	150102-00975M	BLOCK ASSY,CYLINDER	BLOCK ASSY,CYLINDER	1	
1-1	150102-01342	BLOCK,CYLINDER	BLOCK,CYLINDER	1	NS
1-2	110970-00077E	CASE,CRANK	CASE,CRANK	1	NS
1-3	120112-00080A	BOLT,BEARING CAP M12x1.5x118	BOLT,BEARING CAP M12x1.5x118	10	
1-4	89CM830	BOLT,HEX FLANGE M8x1.25x30	BOLT,HEX FLANGE M8x1.25x30	16	
1-5	120501-00660	PIN,LOCATING	PIN,LOCATING	2	
1-6	131002-00996	BUSHING,CAMSHAFT	BUSHING,CAMSHAFT	1	
1-7	131002-00997	BUSHING,CAMSHAFT	BUSHING,CAMSHAFT	2	
1-8	110508-13222	COVER	COVER	1	
1-9	65.90302-0048	PLUG,CORE	PLUG,CORE	6	
1-10	65.90302-0041	PLUG,CORE	PLUG,CORE	6	
2	120501-00139	PIN,LOCATING	PIN,LOCATING	2	
3	06.22022-1110	PIN,DOWEL	PIN,DOWEL	2	
4	120117-00324	BOLT,STUD M8x1.25	BOLT,STUD M8x1.25	3	
5	110508-34630A	COVER,HEATER	COVER,HEATER	1	
6	120705-01062	SCREW,PLUG	SCREW,PLUG	1	

# P303 OIL SPRAY NOZZLE

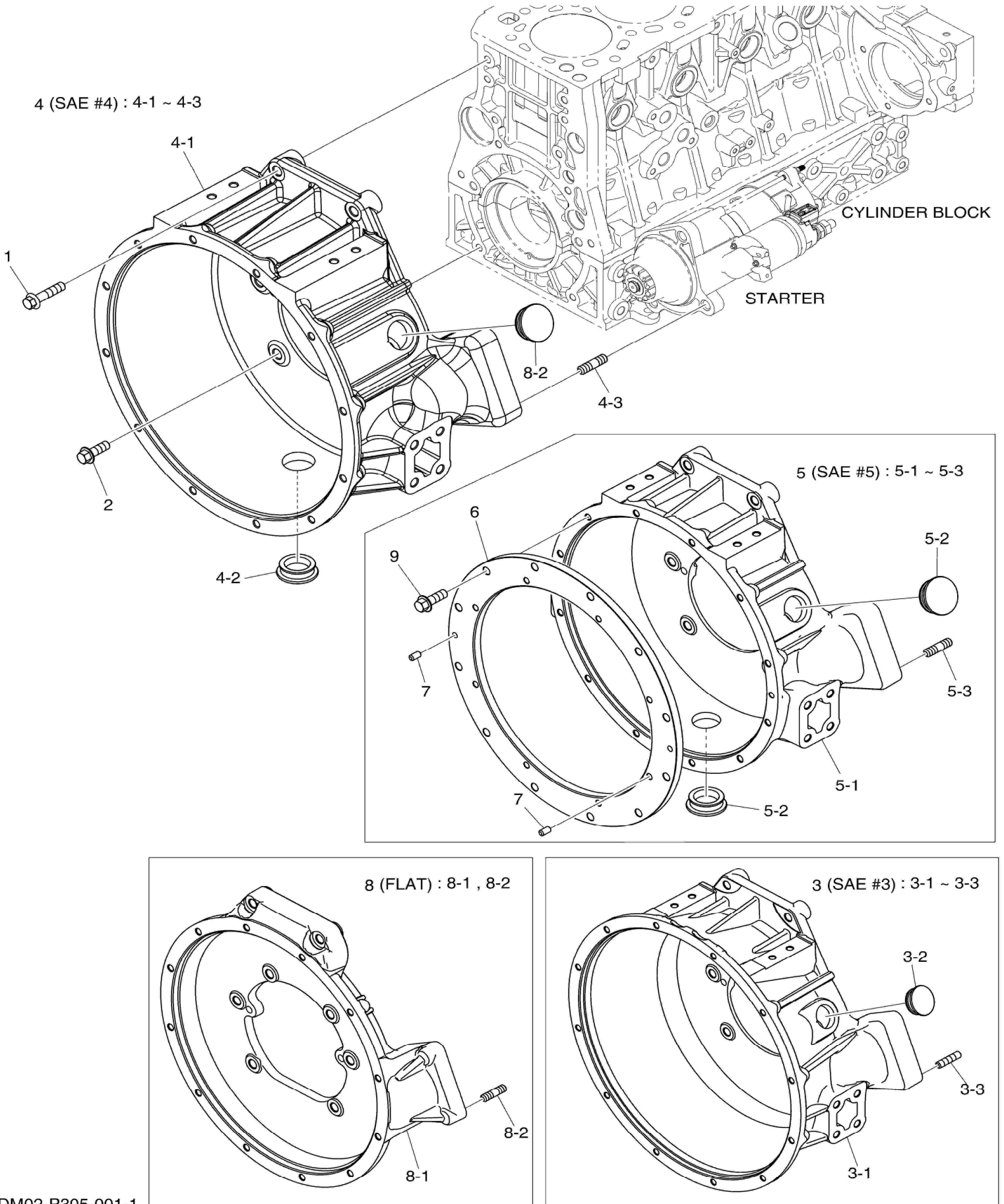
---



# P303 OIL SPRAY NOZZLE

Key No	Part No.	Parts Name	Parts Name	Q'ty	S/C
1	430218-00577	NOZZLE ASSY,OIL SPRAY	NOZZLE ASSY,OIL SPRAY	4	
2	410127-00310	VALVE ASSY,RELIEF	VALVE ASSY,RELIEF	4	

# P305 FLYWHEEL HOUSING

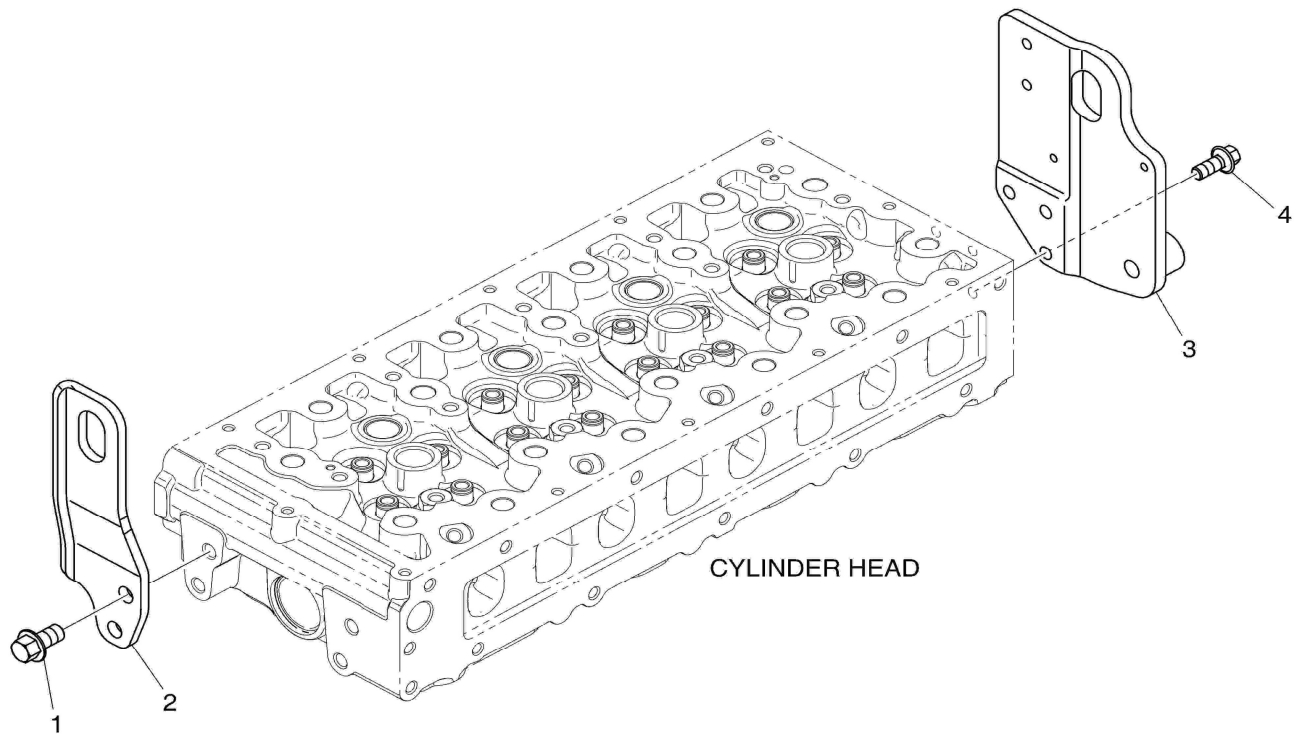


## P305 FLYWHEEL HOUSING

Key No	Part No.	Parts Name	Parts Name	Q'ty	S/C
1	90CM1045	BOLT,HEX FLANGE M10x45	BOLT,HEX FLANGE M10x45	2	
2	90CM1030	BOLT,HEX FLANGE M10x1.5x30	BOLT,HEX FLANGE M10x1.5x30	6	
3	150114-00437	HOUSING ASSY,FLYWHEEL	HOUSING ASSY,FLYWHEEL	1	
3-1	150114-00424	HOUSING,FLYWHEEL	HOUSING,FLYWHEEL	1	
3-2	65.96401-0007	CAP,RUBBER	CAP,RUBBER	1	
3-3	06.06225-0808	BOLT,STUD M10x30	BOLT,STUD M10x30	3	
4	150114-00434	HOUSING ASSY,FLYWHEEL	HOUSING ASSY,FLYWHEEL	1	
4-1	150114-00425	HOUSING,FLYWHEEL	HOUSING,FLYWHEEL	1	
4-2	65.96401-0007	CAP,RUBBER	CAP,RUBBER	2	
4-3	06.06225-0808	BOLT,STUD M10x30	BOLT,STUD M10x30	3	
5	150114-00438	HOUSING ASSY,FLYWHEEL	HOUSING ASSY,FLYWHEEL	1	
5-1	150114-00426	HOUSING,FLYWHEEL	HOUSING,FLYWHEEL	1	
5-2	65.96401-0007	CAP,RUBBER	CAP,RUBBER	2	
5-3	06.06225-0808	BOLT,STUD M10x30	BOLT,STUD M10x30	3	
6	110951-02080	SPACER	SPACER	1	
7	06.22022-1010	PIN,PARALLEL	PIN,PARALLEL	2	
8	150114-00433	HOUSING ASSY,FLYWHEEL	HOUSING ASSY,FLYWHEEL	1	
8-1	150114-00423	HOUSING,FLYWHEEL	HOUSING,FLYWHEEL	1	
8-2	06.06225-0808	BOLT,STUD M10x30	BOLT,STUD M10x30	3	
9	90CM1030	BOLT,HEX FLANGE M10x1.5x30	BOLT,HEX FLANGE M10x1.5x30	12	

# P306 ENGINE LIFTING

---

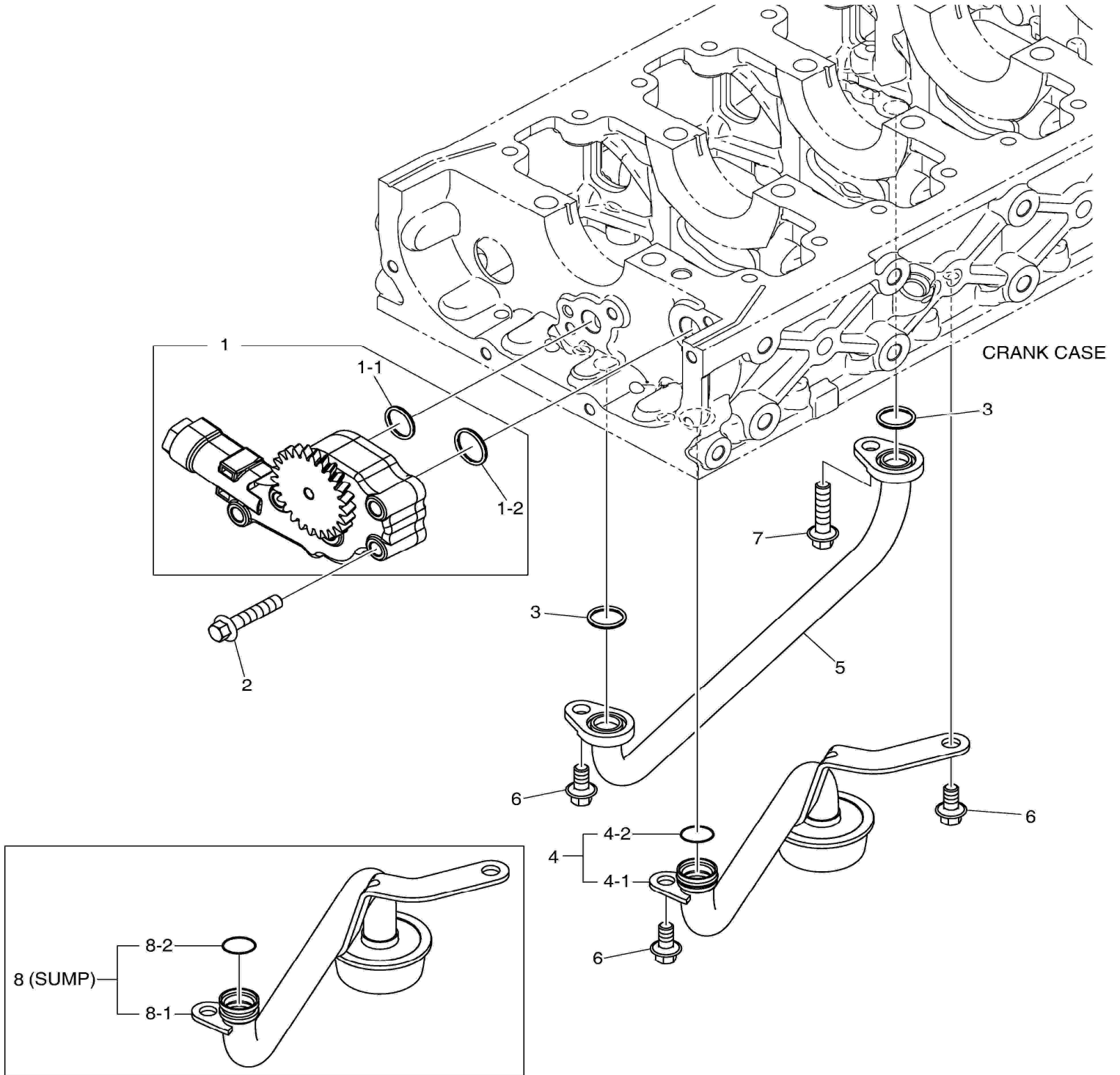


## P306 ENGINE LIFTING

Key No	Part No.	Parts Name	Parts Name	Q'ty	S/C
1	89CM1020	BOLT,HEX FLANGE M10x20	BOLT,HEX FLANGE M10x20	2	
2	120404-00045A	HOOK,LIFTING	HOOK,LIFTING	1	
3	120404-00432B	HOOK,LIFTING	HOOK,LIFTING	1	
4	89CM820	BOLT,HEX FLANGE M8x1.25x20	BOLT,HEX FLANGE M8x1.25x20	3	



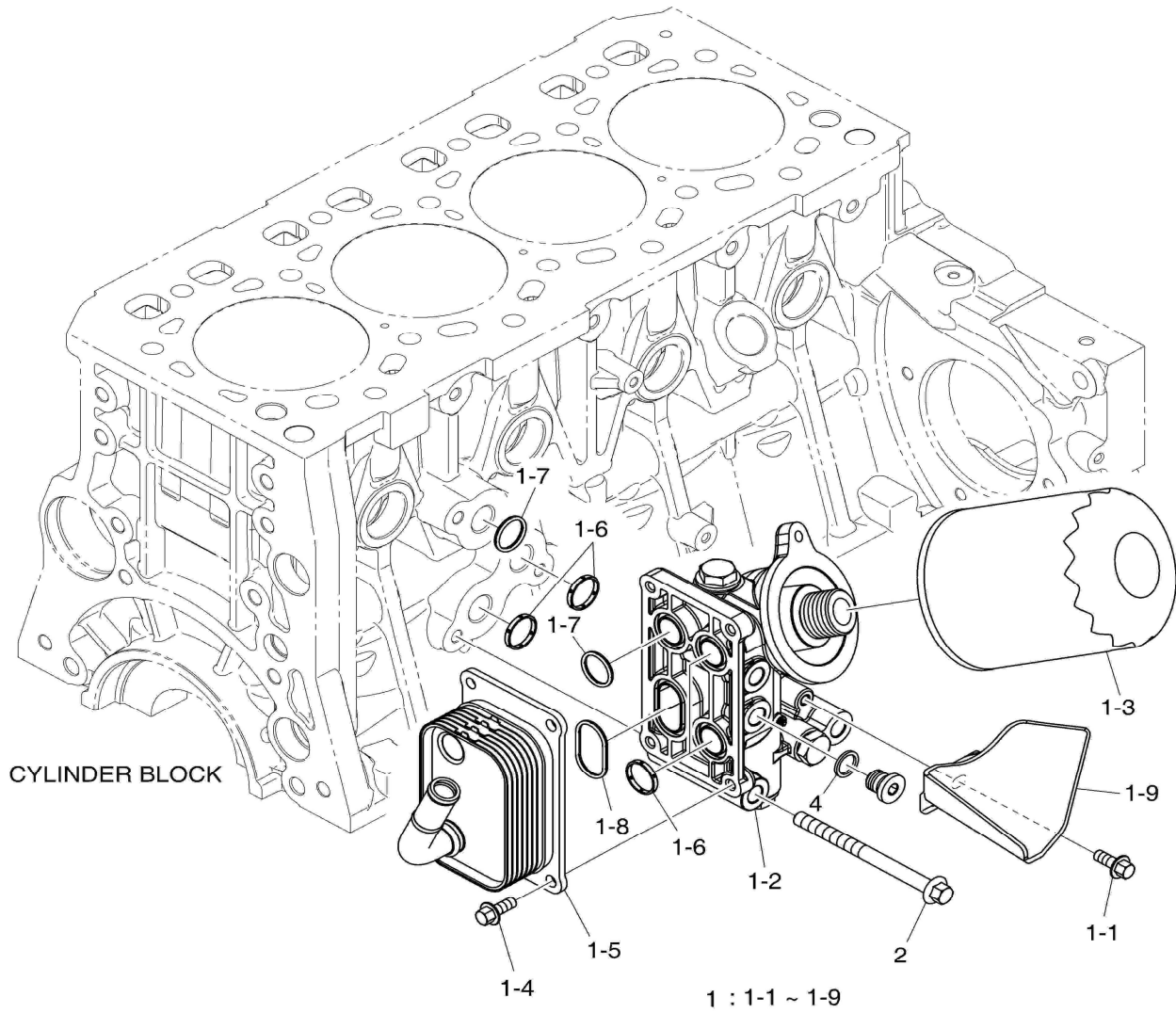
# P308 OIL PUMP



## P308 OIL PUMP

Key No	Part No.	Parts Name	Parts Name	Q'ty	S/C
1	400915-00408	PUMP ASSY,OIL	PUMP ASSY,OIL	1	
1-1	401109-00162	SEALRING,RUBBER	SEALRING,RUBBER	1	
1-2	401109-00164	SEALRING,RUBBER	SEALRING,RUBBER	1	
2	89CM840	BOLT,HEX FLANGE M8x1.25x40	BOLT,HEX FLANGE M8x1.25x40	4	
3	401109-00162	SEALRING,RUBBER	SEALRING,RUBBER	2	
4	420218-00593C	PIPE ASSY,OIL SUCTION	PIPE ASSY,OIL SUCTION	1	NS
4-1	420218-00594B	PIPE,OIL SUCTION	PIPE,OIL SUCTION	1	
4-2	06.56017-0309	O-RING	O-RING	1	
5	420214-00694A	PIPE,OIL DELIVERY	PIPE,OIL DELIVERY	1	
6	89CM816	BOLT,HEX FLANGE M8x1.25x16	BOLT,HEX FLANGE M8x1.25x16	3	
7	89CM835	BOLT,HEX FLANGE M8x1.25x35	BOLT,HEX FLANGE M8x1.25x35	1	
8	420218-00757A	PIPE ASSY,OIL SUCTION	PIPE ASSY,OIL SUCTION	1	NS
8-1	420218-00651B	PIPE,OIL SUCTION	PIPE,OIL SUCTION	1	
8-2	06.56017-0309	O-RING	O-RING	1	

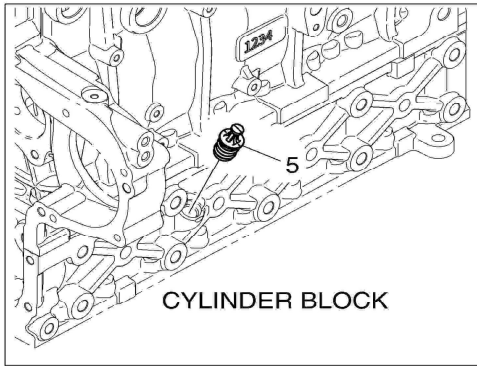
# P309 OIL FILTER



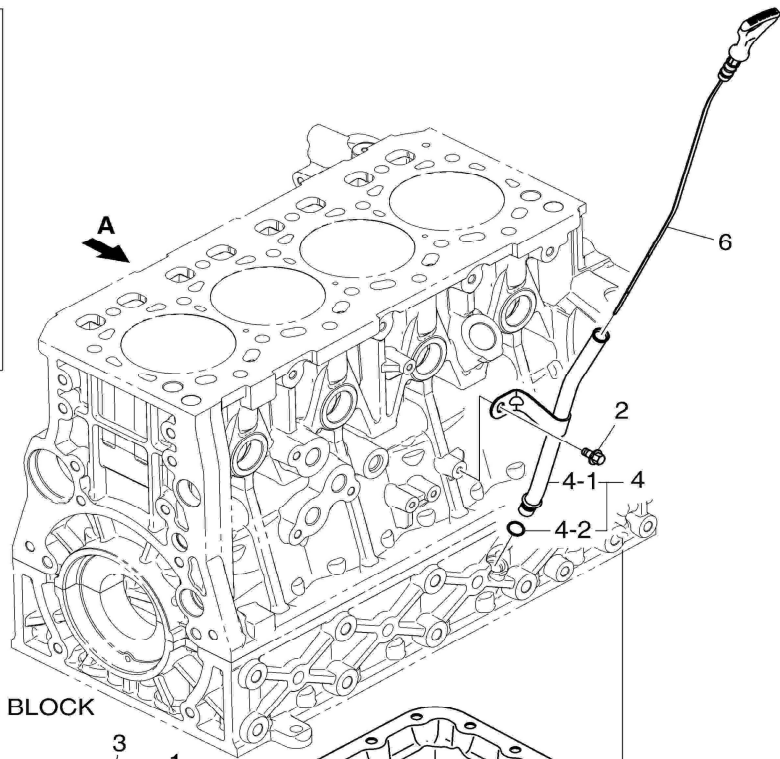
## P309 OIL FILTER

Key No	Part No.	Parts Name	Parts Name	Q'ty	S/C
1	400404-00109C	FILTER ASSY,ENGINE OIL	FILTER ASSY,ENGINE OIL	1	
1-1	89CM616	BOLT,HEX FLANGE M6x1.0x16	BOLT,HEX FLANGE M6x1.0x16	1	
1-2	400505-00101A	HEAD ASSY,OIL FILTER	HEAD ASSY,OIL FILTER	1	NS
1-3	400508-00109	CARTRIDGE,OIL FILTER	CARTRIDGE,OIL FILTER	1	
1-4	89CM616	BOLT,HEX FLANGE M6x1.0x16	BOLT,HEX FLANGE M6x1.0x16	4	
1-5	400206-00745B	COOLER ASSY,OIL	COOLER ASSY,OIL	1	
1-6	401002-01949	O-RING	O-RING	4	
1-7	401002-01950A	O-RING	O-RING	2	
1-8	401002-02194	O-RING	O-RING	1	
1-9	460102-00071	DRAIN	DRAIN	1	
2	89CM880	BOLT,HEX FLANGE M8x1.25x80	BOLT,HEX FLANGE M8x1.25x80	3	
4	06.56190-0703	RING,SEAL A12x16	RING,SEAL A12x16	1	

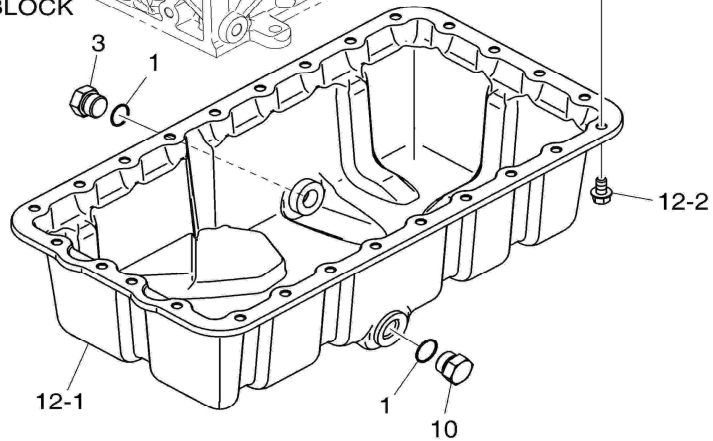
# P311 OIL PAN



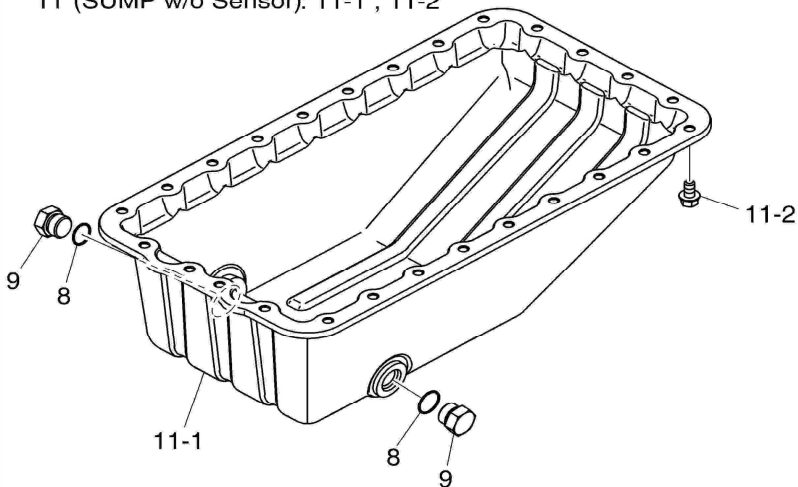
VIEW A



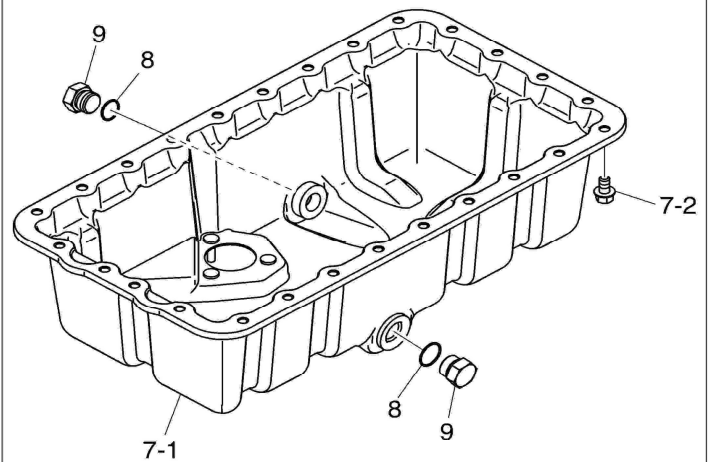
12 (FLAT) : 12-1 , 12-2



11 (SUMP w/o Sensor): 11-1 , 11-2



7 (SUMP w/ Sensor) : 7-1 , 7-2

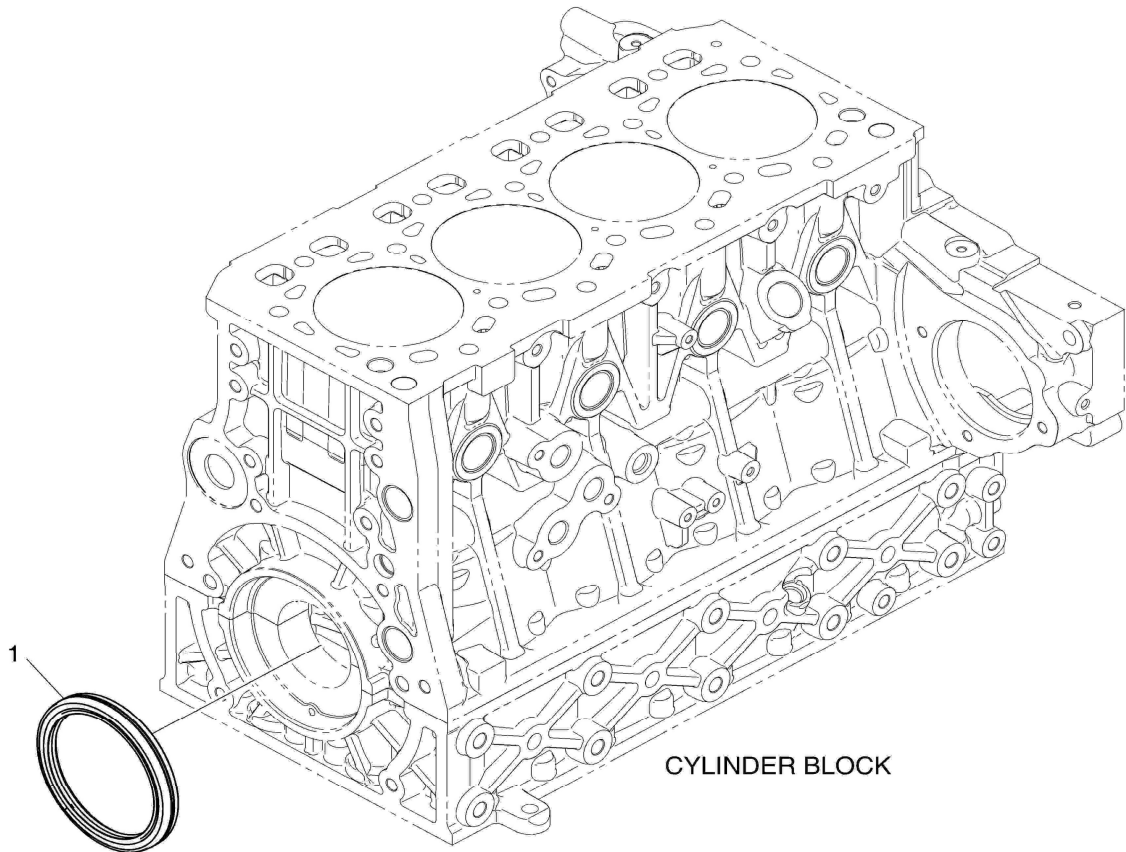


## P311 OIL PAN

Key No	Part No.	Parts Name	Parts Name	Q'ty	S/C
1	401002-00677	O-RING	O-RING	2	
2	89CM612	BOLT,HEX FLANGE M6x1.0x12	BOLT,HEX FLANGE M6x1.0x12	1	
3	430221-00087	PLUG,OIL DRAIN	PLUG,OIL DRAIN	1	
4	420406-02169A	TUBE ASSY,OIL LEVEL GAUGE GUIDE	TUBE ASSY,OIL LEVEL GAUGE GUIDE	1	NS
4-1	420406-02167A	TUBE ASSY,OIL LEVEL GAUGE GUIDE	TUBE ASSY,OIL LEVEL GAUGE GUIDE	1	
4-2	65.96501-0107	O-RING	O-RING	1	
5	110910-02260A	CAP,PLASTIC	CAP,PLASTIC	1	
6	800108-00065E	GAUGE,OIL LEVEL	GAUGE,OIL LEVEL	1	
7	150119-00847A	PAN ASSY,OIL	PAN ASSY,OIL	1	NS
7-1	150119-00680	PAN,OIL	PAN,OIL	1	
7-2	120106-00200	BOLT,HEX FLANGE M8x1.25x14	BOLT,HEX FLANGE M8x1.25x14	26	
8	401002-00677	O-RING	O-RING	2	
9	430221-00087	PLUG,OIL DRAIN	PLUG,OIL DRAIN	2	
10	430221-00087	PLUG,OIL DRAIN	PLUG,OIL DRAIN	1	
11	150119-00916	PAN ASSY,OIL	PAN ASSY,OIL	1	NS
11-1	150119-00689	PAN,OIL	PAN,OIL	1	
11-2	120106-00200	BOLT,HEX FLANGE M8x1.25x14	BOLT,HEX FLANGE M8x1.25x14	26	
12	150119-00918	PAN ASSY,OIL	PAN ASSY,OIL	1	NS
12-1	150119-00683	PAN,OIL	PAN,OIL	1	
12-2	120106-00200	BOLT,HEX FLANGE M8x1.25x14	BOLT,HEX FLANGE M8x1.25x14	26	

# P401 OIL SEAL

---

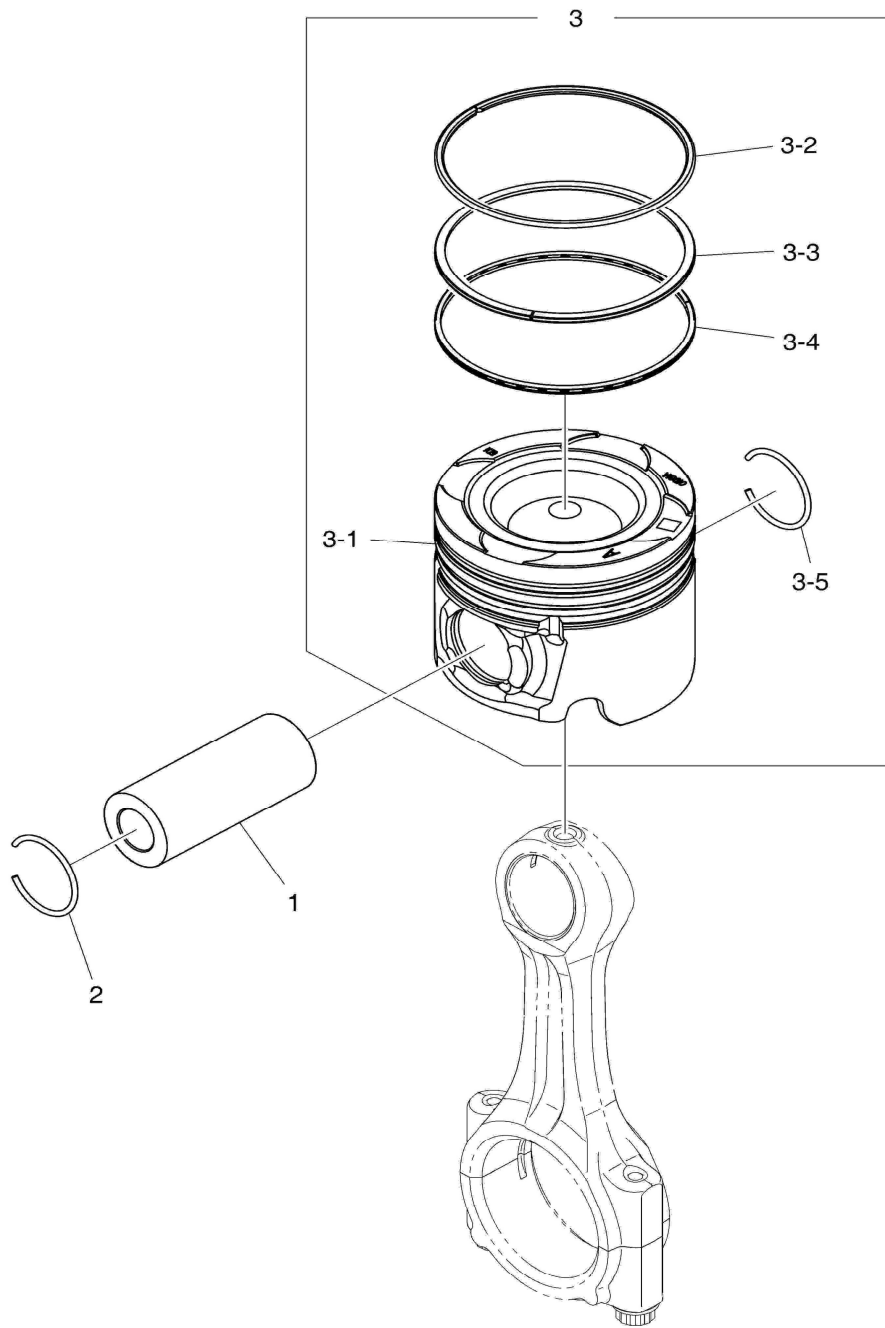


# P401 OIL SEAL

Key No	Part No.	Parts Name	Parts Name	Q'ty	S/C
1	401106-00569	SEAL,OIL (REAR)	SEAL,OIL (REAR)	1	



# P402 PISTON



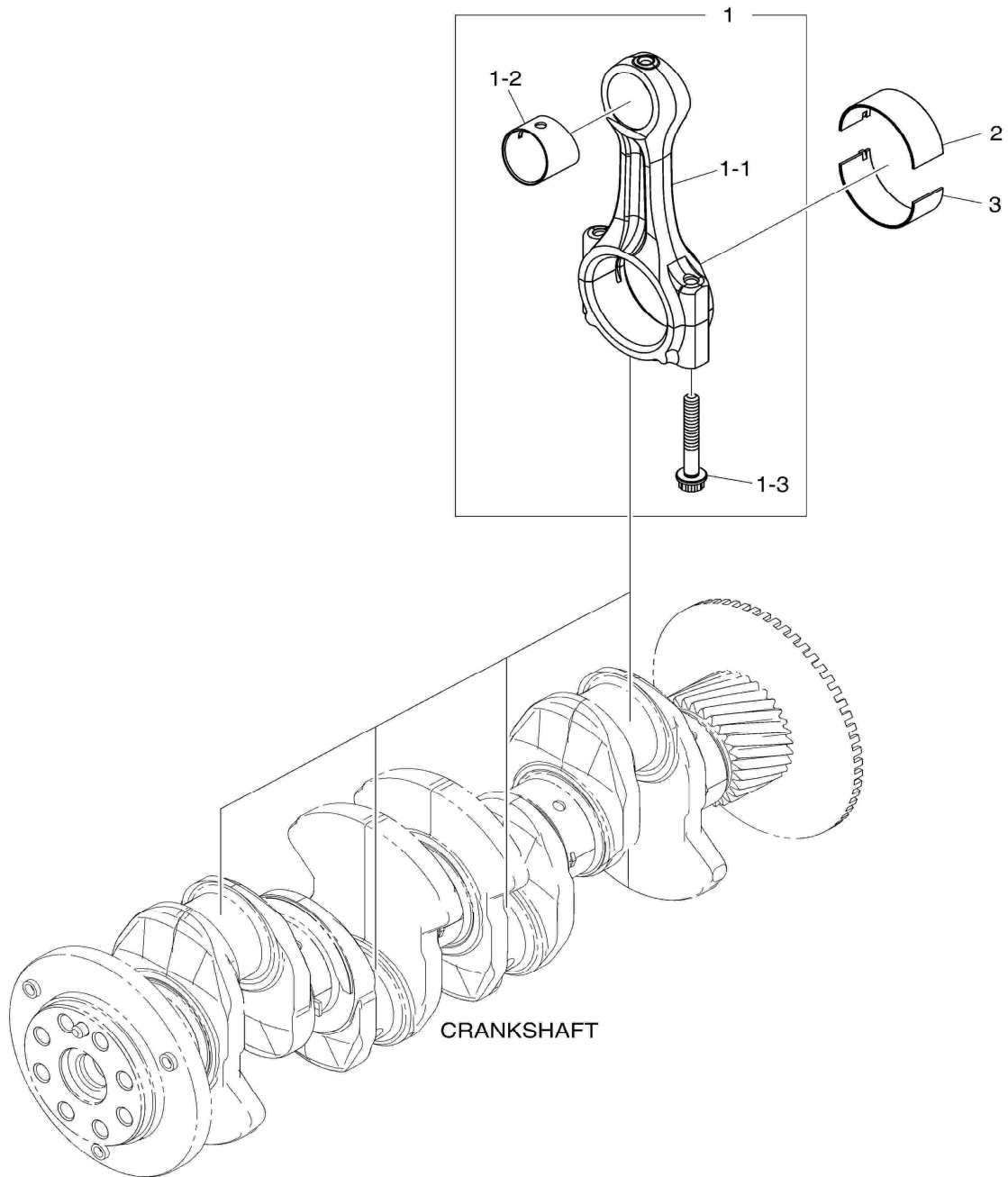
CONNECTING ROD

## P402 PISTON

Key No	Part No.	Parts Name	Parts Name	Q'ty	S/C
1	130601-00004C	PIN,PISTON	PIN,PISTON	4	
2	111104-00043A	RING,SNAP	RING,SNAP	4	
3	130602-01780C	PISTON ASSY	PISTON ASSY	4	NS
3-1	130602-01961A	PISTON	PISTON	1	NS
3-2	401004-00105	RING,PISTON (TOP)	RING,PISTON (TOP)	1	NS
3-3	401004-00073	RING,PISTON (2ND)	RING,PISTON (2ND)	1	NS
3-4	401004-00031	RING,PISTON (OIL)	RING,PISTON (OIL)	1	NS
3-5	111104-00043A	RING,SNAP	RING,SNAP	1	

# P403 CONNECTING ROD

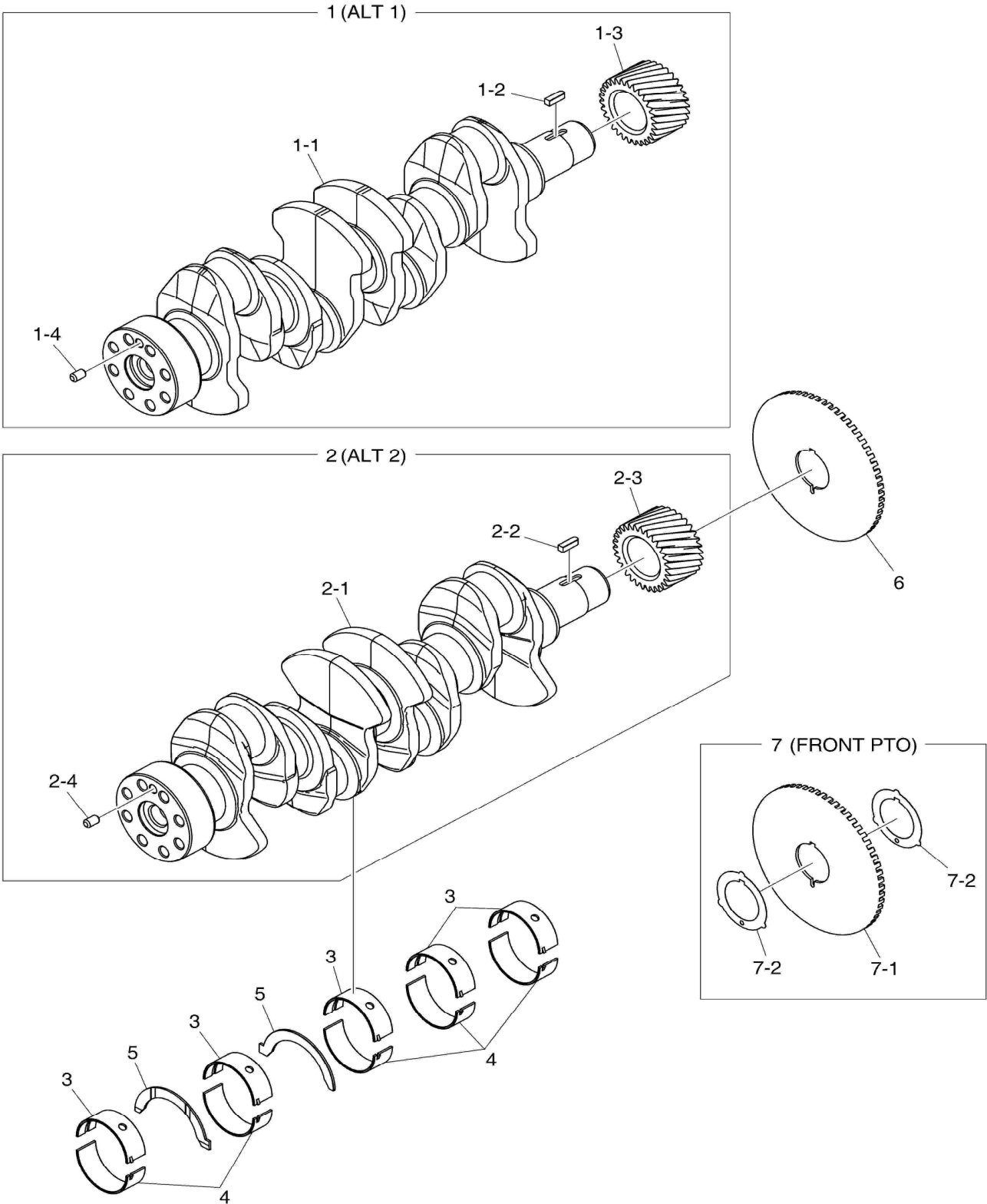
---



## P403 CONNECTING ROD

Key No	Part No.	Parts Name	Parts Name	Q'ty	S/C
1	150121-00111D	CON-ROD ASSY	CON-ROD ASSY	4	NS
1-1	150121-00110B	CON-ROD ASSY	CON-ROD ASSY	1	NS
1-2	131002-00045	BUSH,CON-ROD	BUSH,CON-ROD	1	NS
1-3	120112-00127A	BOLT,CON-ROD M8x1.0x56	BOLT,CON-ROD M8x1.0x56	2	
2	140112-00134	BEARING,CON-ROD (UPPER,STD)	BEARING,CON-ROD (UPPER,STD)	4	NS
3	140112-00136	BEARING,CON-ROD (LOWER,STD)	BEARING,CON-ROD (LOWER,STD)	4	NS

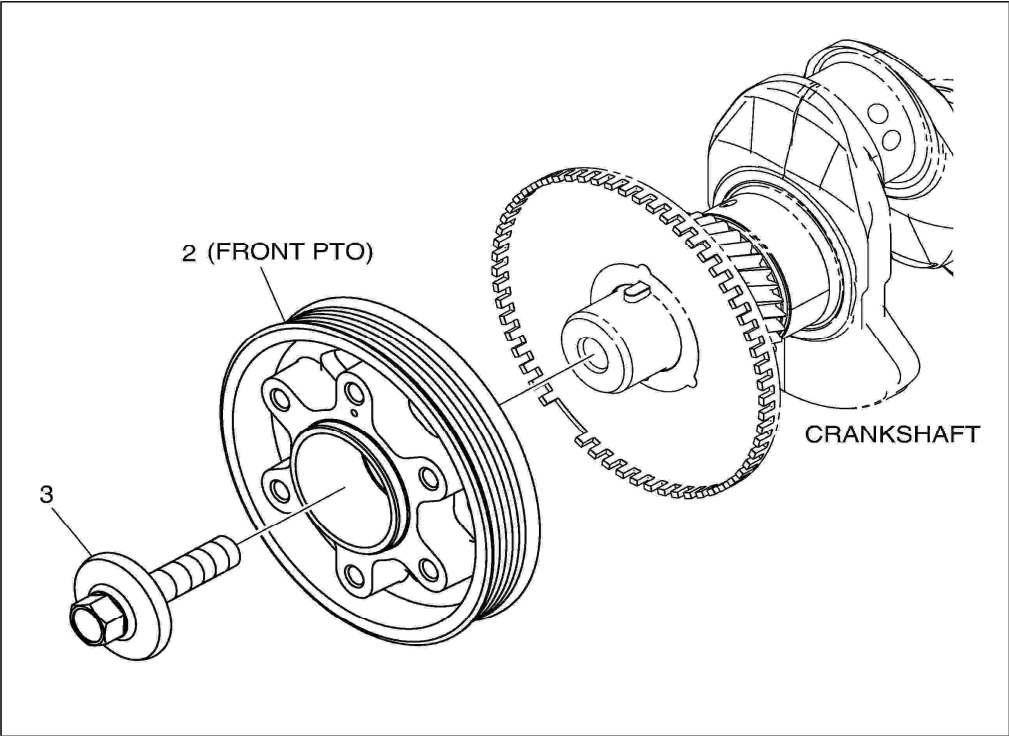
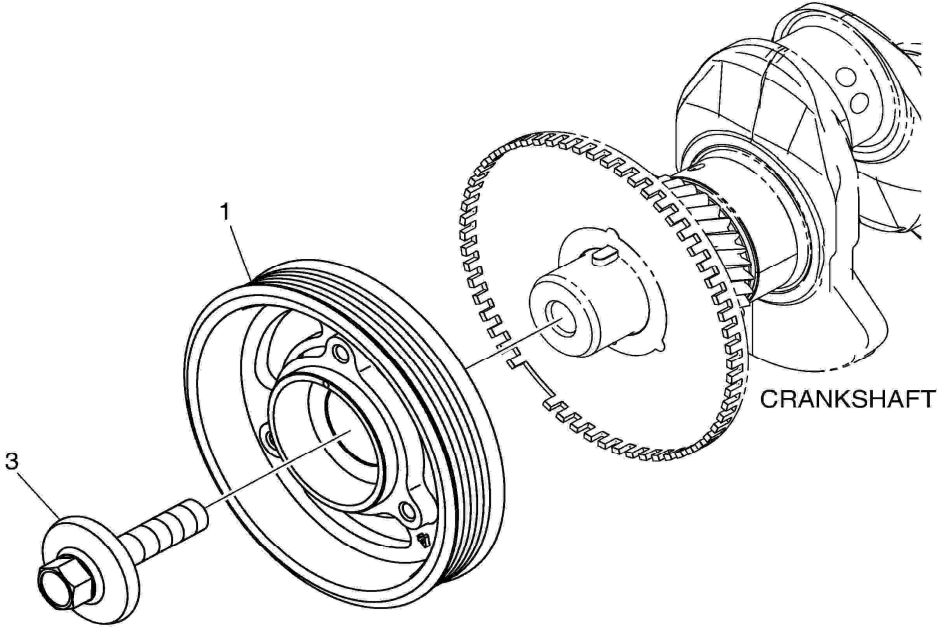
# P404 CRANKSHAFT



## P404 CRANKSHAFT

Key No	Part No.	Parts Name	Parts Name	Q'ty	S/C
1	150107-00592	CRANKSHAFT ASSY	CRANKSHAFT ASSY	1	
1-1	150107-00591	CRANKSHAFT	CRANKSHAFT	1	NS
1-2	06.29071-2508	KEY,SUNK	KEY,SUNK	1	
1-3	130410-00003C	GEAR,CRANKSHAFT	GEAR,CRANKSHAFT	1	
1-4	06.22022-1009	PIN,PARALLEL	PIN,PARALLEL	1	
2	150107-00937A	CRANKSHAFT ASSY	CRANKSHAFT ASSY	1	
2-1	150107-00938A	CRANKSHAFT	CRANKSHAFT	1	NS
2-2	06.29071-2508	KEY,SUNK	KEY,SUNK	1	
2-3	130410-00003C	GEAR,CRANKSHAFT	GEAR,CRANKSHAFT	1	
2-4	06.22022-1009	PIN,PARALLEL	PIN,PARALLEL	1	
3	140103-00179A	BEARING ASSY,MAIN	BEARING ASSY,MAIN	5	NS
4	140103-00183A	BEARING ASSY,MAIN	BEARING ASSY,MAIN	5	NS
5	120816-00236	WASHER,THRUST	WASHER,THRUST	2	
6	111401-00002B	WHEEL,TIMING	WHEEL,TIMING	1	
7	111401-00023A	WHEEL,TIMING	WHEEL,TIMING	1	NS
7-1	111401-00002B	WHEEL,TIMING	WHEEL,TIMING	1	
7-2	110947-00771	SHIM	SHIM	2	

# P405 CRANKSHAFT PULLEY

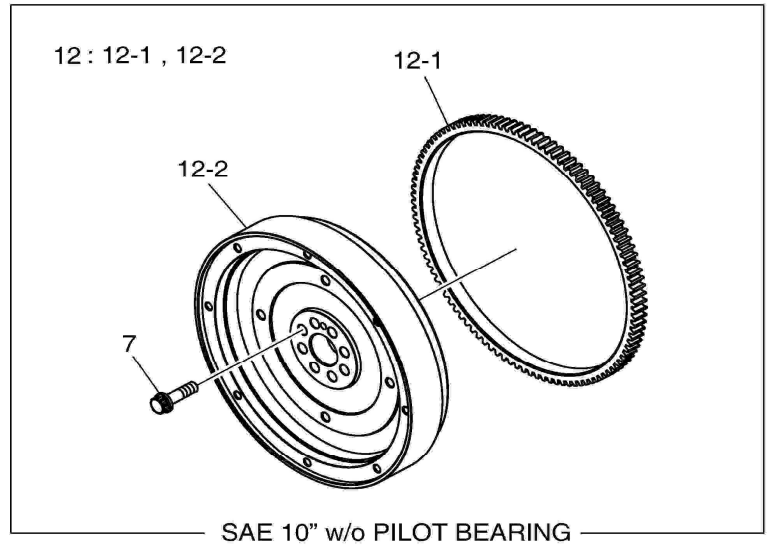
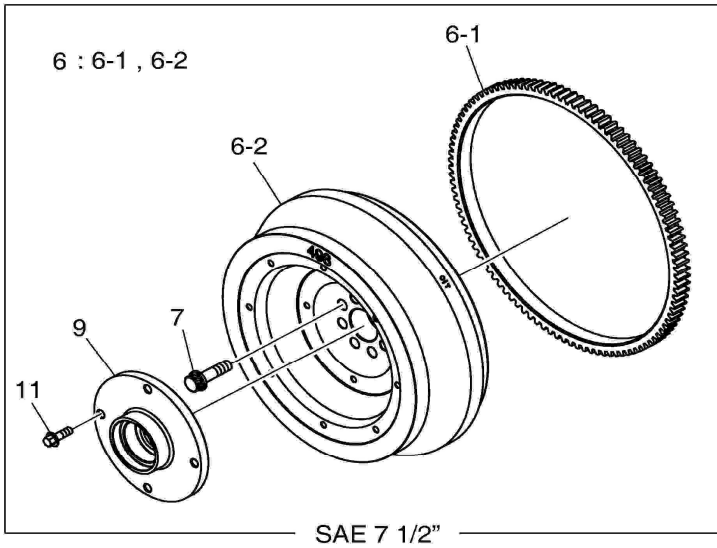
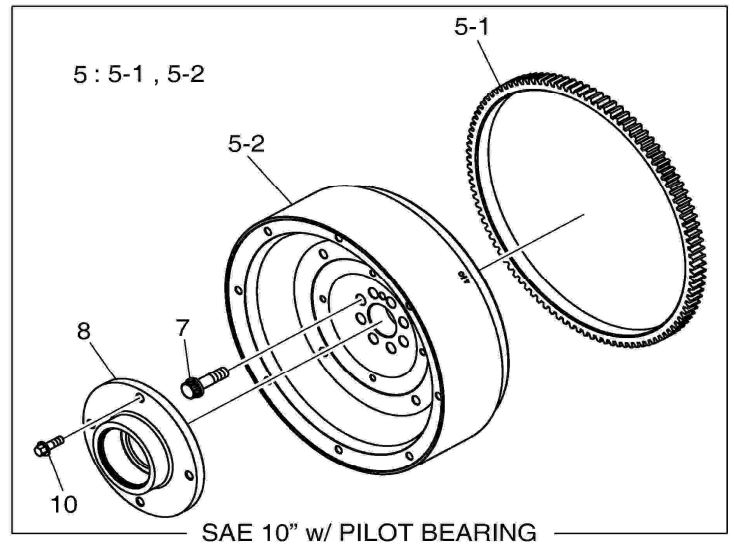
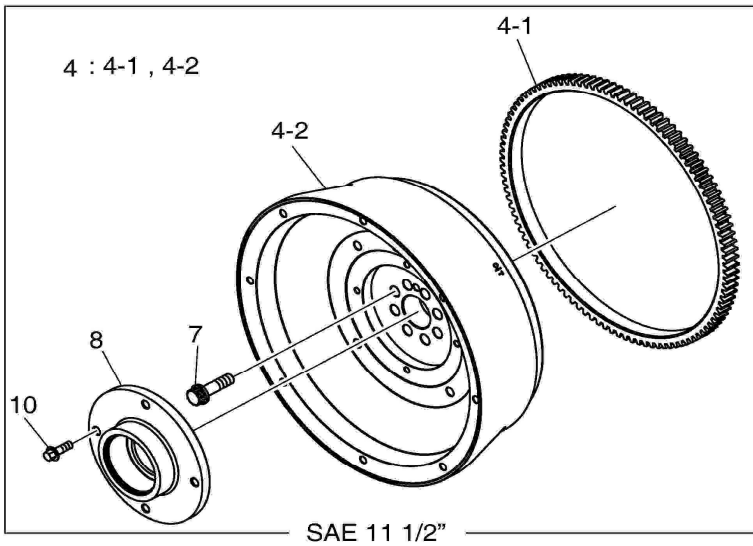
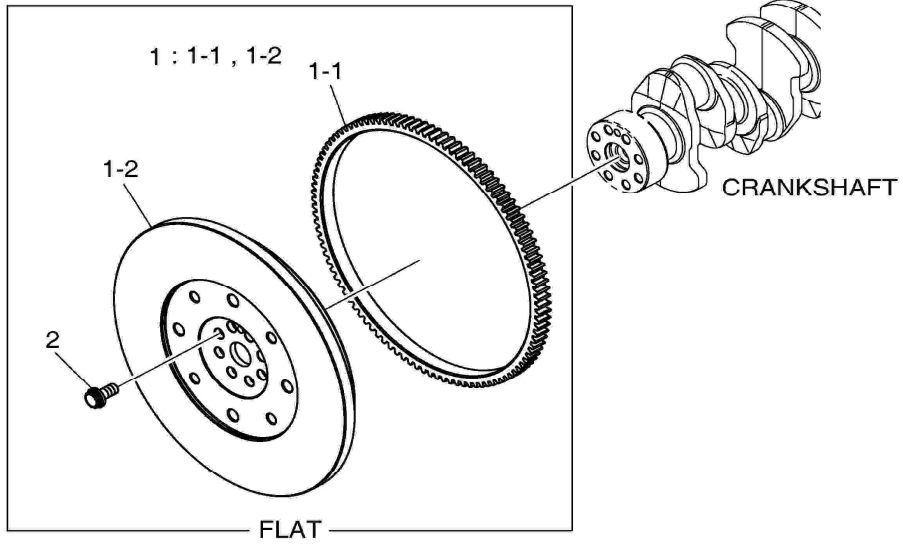


## P405 CRANKSHAFT PULLEY

Key No	Part No.	Parts Name	Parts Name	Q'ty	S/C
1	130711-00111B	PULLEY,CRANKSHAFT	PULLEY,CRANKSHAFT	1	
2	130711-00305	PULLEY,CRANKSHAFT	PULLEY,CRANKSHAFT	1	
3	120106-00171B	BOLT,HEX FLANGE M14x1.5x55	BOLT,HEX FLANGE M14x1.5x55	1	



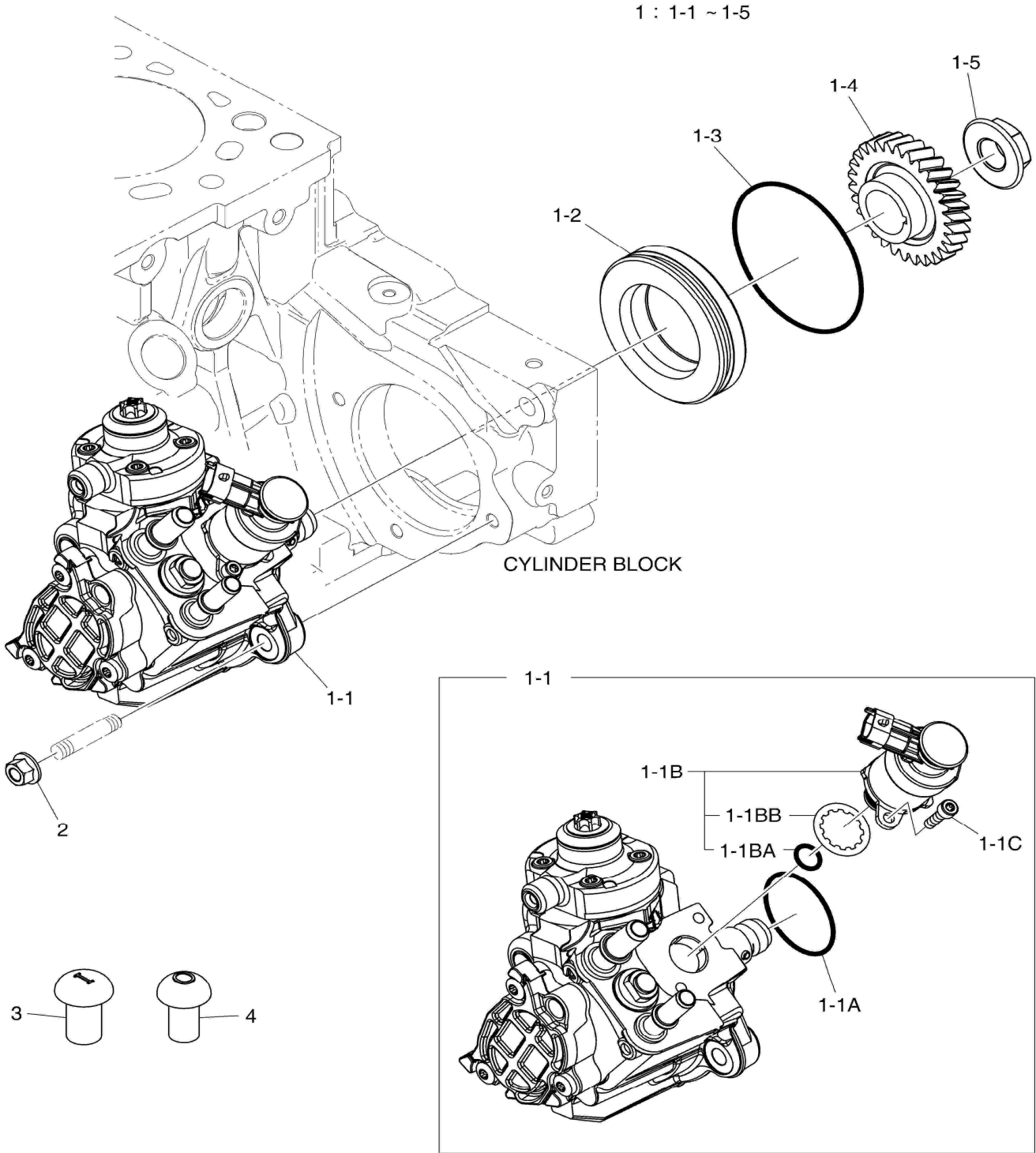
# P407 FLYWHEEL



## P407 FLYWHEEL

Key No	Part No.	Parts Name	Parts Name	Q'ty	S/C
1	150111-00528	FLYWHEEL ASSY	FLYWHEEL ASSY	1	
1-1	130422-00049A	GEAR,RING	GEAR,RING	1	
1-2	150111-00529	FLYWHEEL	FLYWHEEL	1	NS
2	120106-00993	BOLT,HEX FLANGE M12x25	BOLT,HEX FLANGE M12x25	8	
4	150111-00381	FLYWHEEL ASSY	FLYWHEEL ASSY	1	
4-1	130422-00049A	GEAR,RING	GEAR,RING	1	
4-2	150111-00382	FLYWHEEL	FLYWHEEL	1	NS
5	150111-00383	FLYWHEEL ASSY	FLYWHEEL ASSY	1	
5-1	130422-00049A	GEAR,RING	GEAR,RING	1	
5-2	150111-00384	FLYWHEEL	FLYWHEEL	1	NS
6	150111-00498A	FLYWHEEL ASSY	FLYWHEEL ASSY	1	
6-1	130422-00049A	GEAR,RING	GEAR,RING	1	
6-2	150111-00499A	FLYWHEEL	FLYWHEEL	1	NS
7	120106-00170	BOLT,FLYWHEEL M12x1.5x43	BOLT,FLYWHEEL M12x1.5x43	8	
8	430215-01787	FLANGE,COUPLING	FLANGE,COUPLING	1	
9	430215-01788	FLANGE,COUPLING	FLANGE,COUPLING	1	
10	89CM825	BOLT,HEX FLANGE M8x1.25x25	BOLT,HEX FLANGE M8x1.25x25	4	
11	89CM825	BOLT,HEX FLANGE M8x1.25x25	BOLT,HEX FLANGE M8x1.25x25	4	
12	150111-00267A	FLYWHEEL ASSY	FLYWHEEL ASSY	1	
12-1	130422-00049A	GEAR,RING	GEAR,RING	1	
12-2	150111-00265A	FLYWHEEL	FLYWHEEL	1	

# P501 INJECTION PUMP

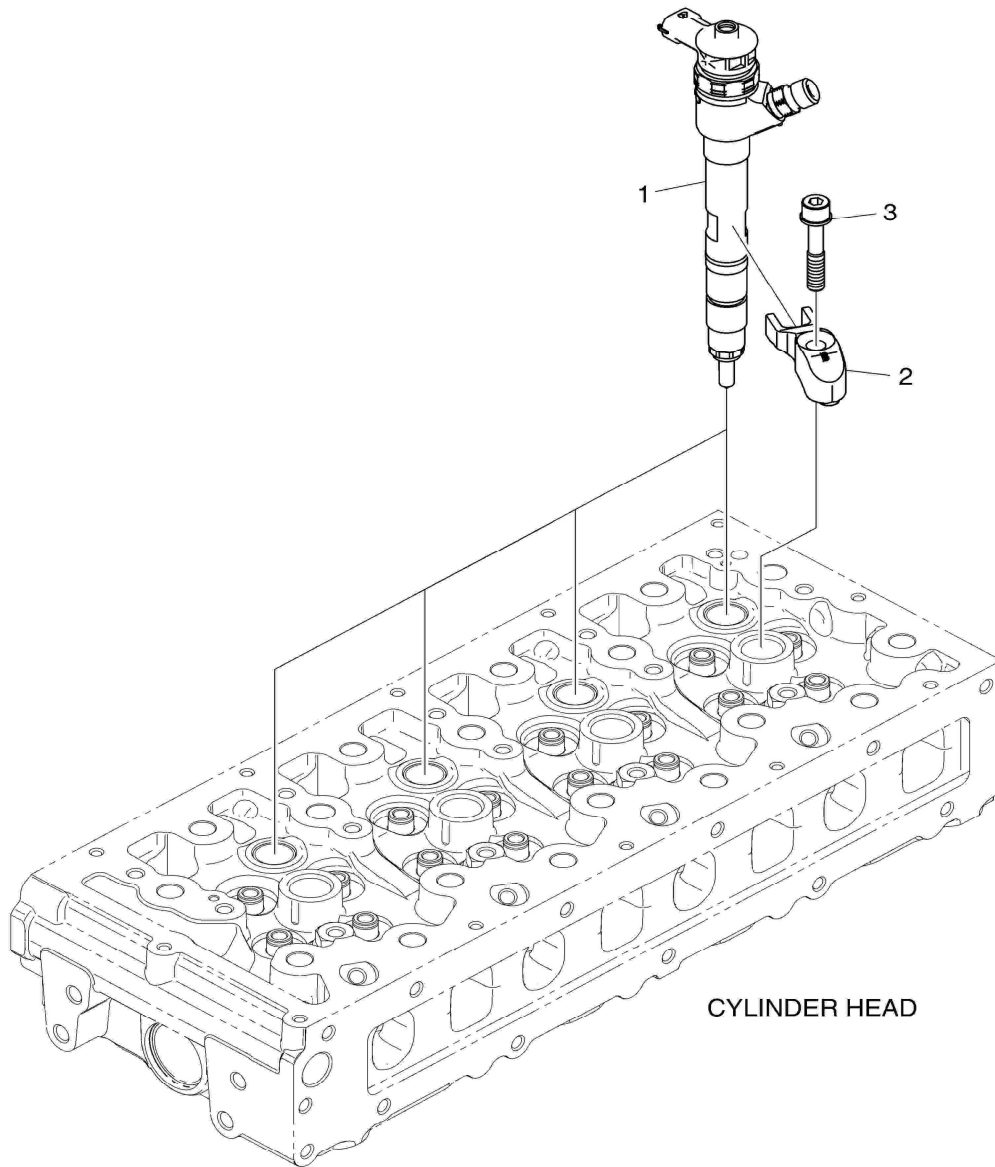


## P501 INJECTION PUMP

Key No	Part No.	Parts Name	Parts Name	Q'ty	S/C
1	400912-00569A	PUMP ASSY,FUEL INJECTION	PUMP ASSY,FUEL INJECTION	1	NS
1-1	400912-00572	PUMP,HIGH PRESSURE	PUMP,HIGH PRESSURE	1	
1-1A	401002-01912	O-RING	O-RING	1	
1-1B	800215-00127	FLOW METER,FUEL	FLOW METER,FUEL	1	
1-1BA	401002-02345	O-RING	O-RING	1	
1-1BB	401002-02346	SEAL	SEAL	1	
1-1C	120705-01586	SCREW	SCREW	2	
1-2	110917-01084A	COLLAR	COLLAR	1	
1-3	401002-00155A	O-RING	O-RING	1	
1-4	130412-00252C	GEAR,INJECTION PUMP DRIVE	GEAR,INJECTION PUMP DRIVE	1	
1-5	120305-00083	NUT,FLANGE M18x1.5	NUT,FLANGE M18x1.5	1	
2	65.90535-0003	NUT,FLANGE M8x1.25	NUT,FLANGE M8x1.25	3	
3	110910-02855	CAP,RUBBER	CAP,RUBBER	1	
4	110910-02856	CAP,RUBBER	CAP,RUBBER	1	

# P502 INJECTION NOZZLE

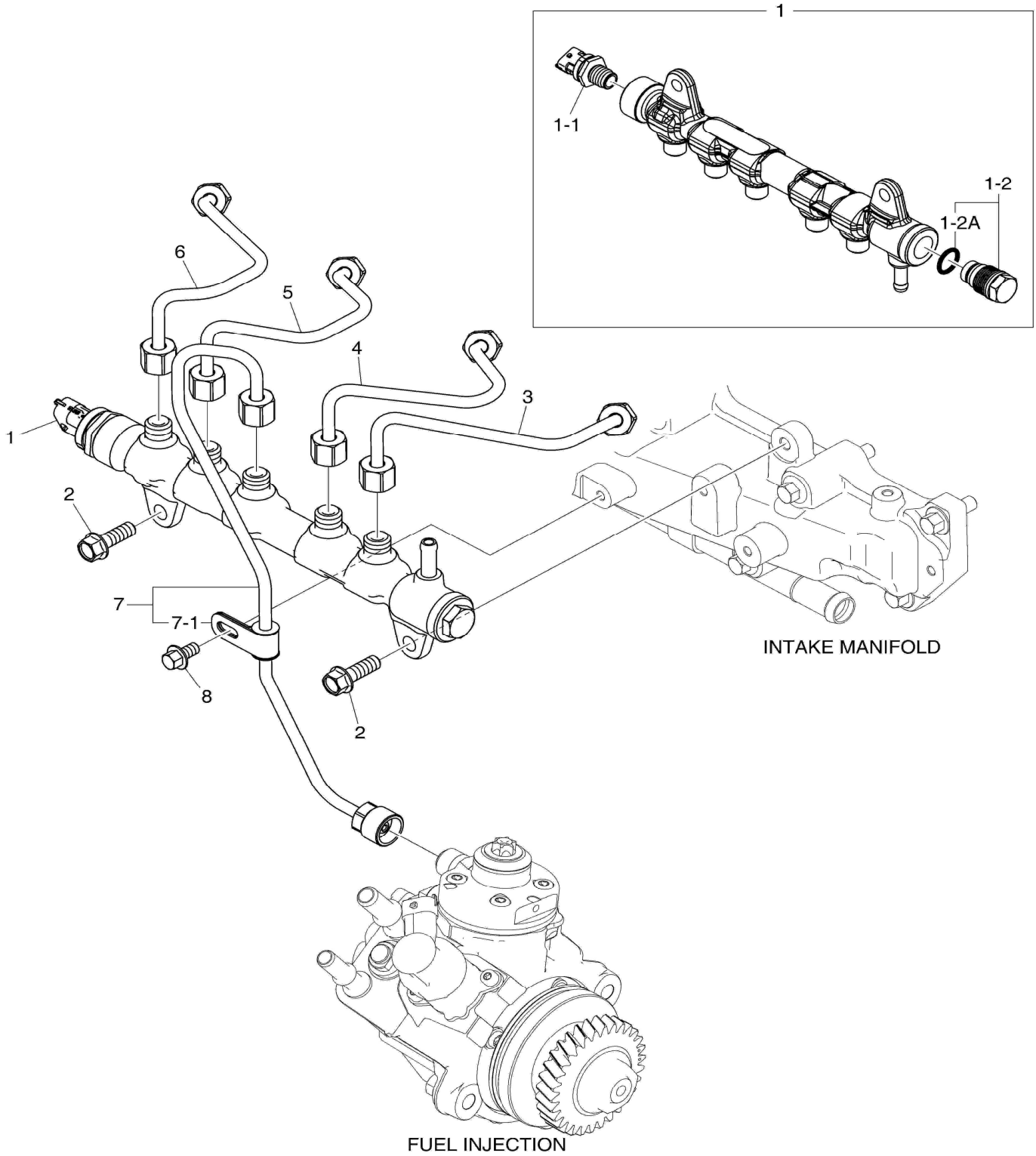
---



## P502 INJECTION NOZZLE

Key No	Part No.	Parts Name	Parts Name	Q'ty	S/C
1	400903-00223	INJECTOR ASSY	INJECTOR ASSY	4	
2	110928-00800	HORDER,INJECTOR	HORDER,INJECTOR	4	
3	120106-00418	BOLT,CLAMP M8x1.25x45	BOLT,CLAMP M8x1.25x45	4	

# P503 INJECTION PIPE

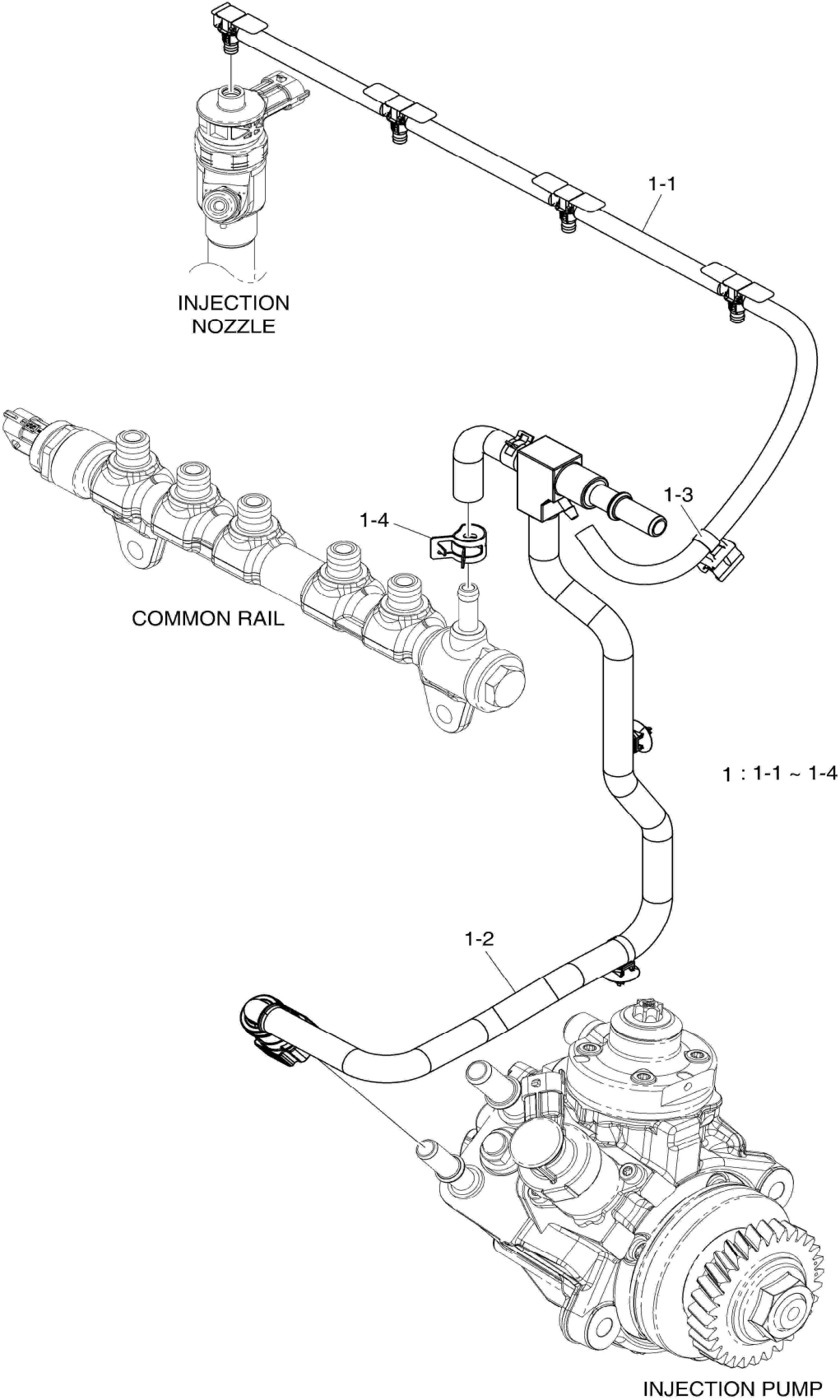


## P503 INJECTION PIPE

Key No	Part No.	Parts Name	Parts Name	Q'ty	S/C
1	150120-00088	RAIL,COMMON	RAIL,COMMON	1	
1-1	301309-00009	SENSOR,PRESSURE	SENSOR,PRESSURE	1	
1-2	410126-00116	VALVE,PRESSURE REGULATOR	VALVE,PRESSURE REGULATOR	1	
1-2A	65.96501-0431	O-RING	O-RING	1	
2	120106-00239	BOLT,COLLARED HEX M8x1.25x25	BOLT,COLLARED HEX M8x1.25x25	2	
3	420208-00829A	PIPE ASSY,INJECTION	PIPE ASSY,INJECTION	1	
4	420208-00830A	PIPE ASSY,INJECTION	PIPE ASSY,INJECTION	1	
5	420208-00831A	PIPE ASSY,INJECTION	PIPE ASSY,INJECTION	1	
6	420208-00832A	PIPE ASSY,INJECTION	PIPE ASSY,INJECTION	1	
7	420208-00833B	PIPE ASSY,INJECTION	PIPE ASSY,INJECTION	1	
7-1	120402-00702A	CLIP,TUBE	CLIP,TUBE	1	
8	89CM612	BOLT,HEX FLANGE M6x1.0x12	BOLT,HEX FLANGE M6x1.0x12	1	



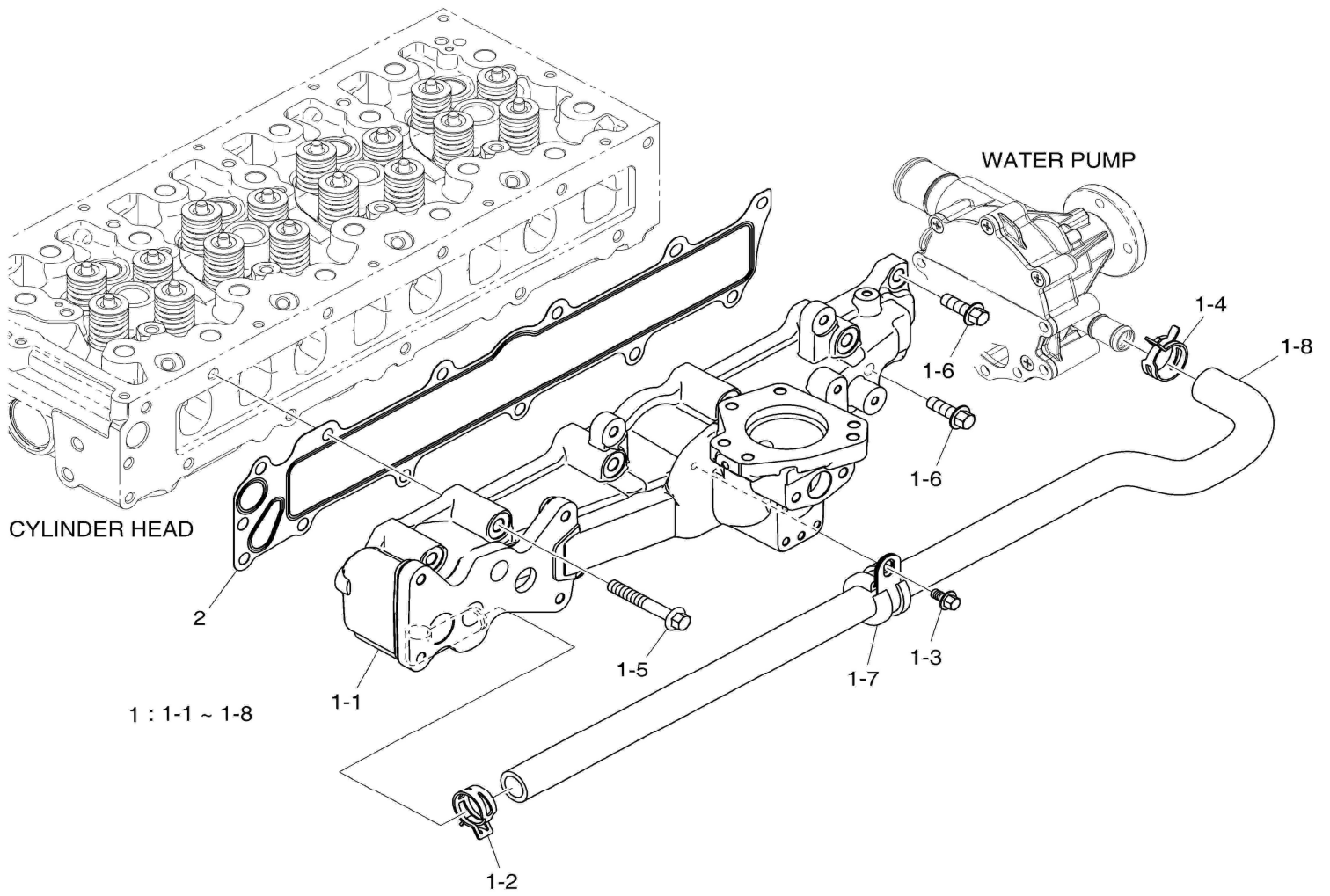
# P505 FUEL LINE



## P505 FUEL LINE

Key No	Part No.	Parts Name	Parts Name	Q'ty	S/C
1	420103-00813	HOSE ASSY	HOSE ASSY	1	
1-1	420103-00505A	HOSE ASSY,FUEL	HOSE ASSY,FUEL	1	
1-2	420103-00471C	HOSE ASSY	HOSE ASSY	1	
1-3	310101-00258	TIE,CABLE	TIE,CABLE	1	
1-4	120202-00122	CLAMP,HOSE	CLAMP,HOSE	1	

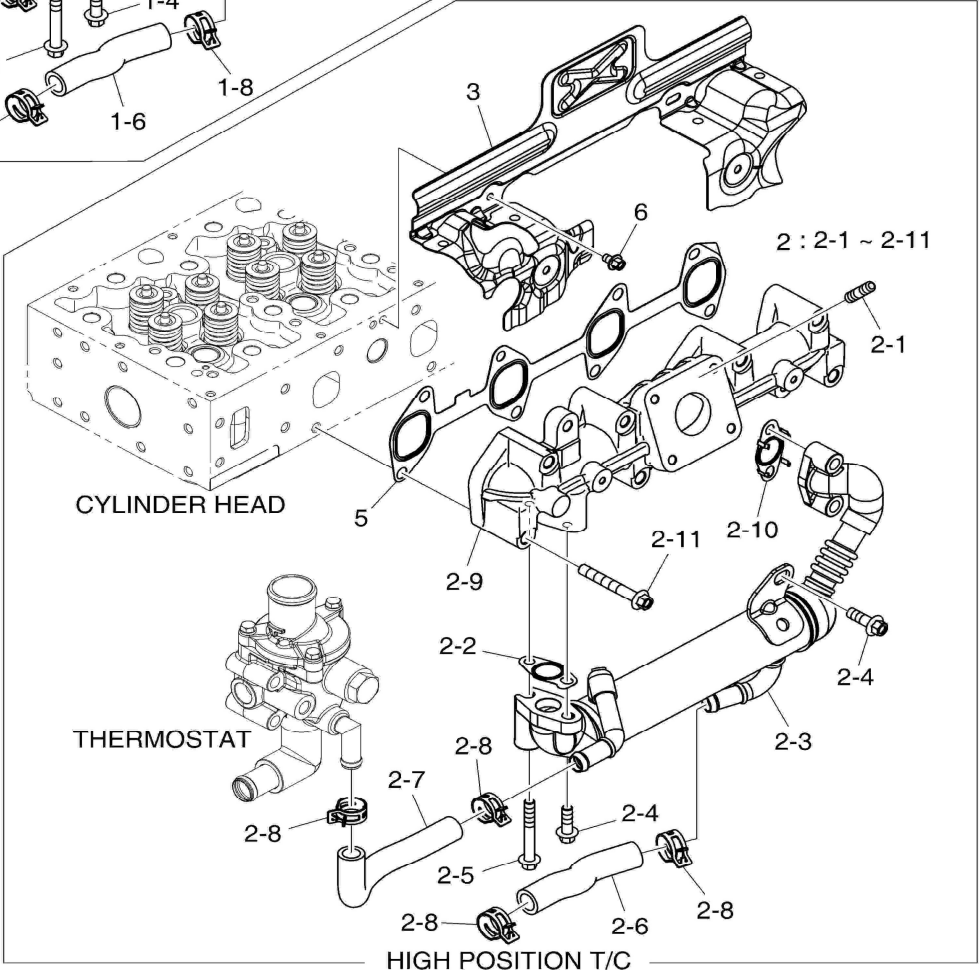
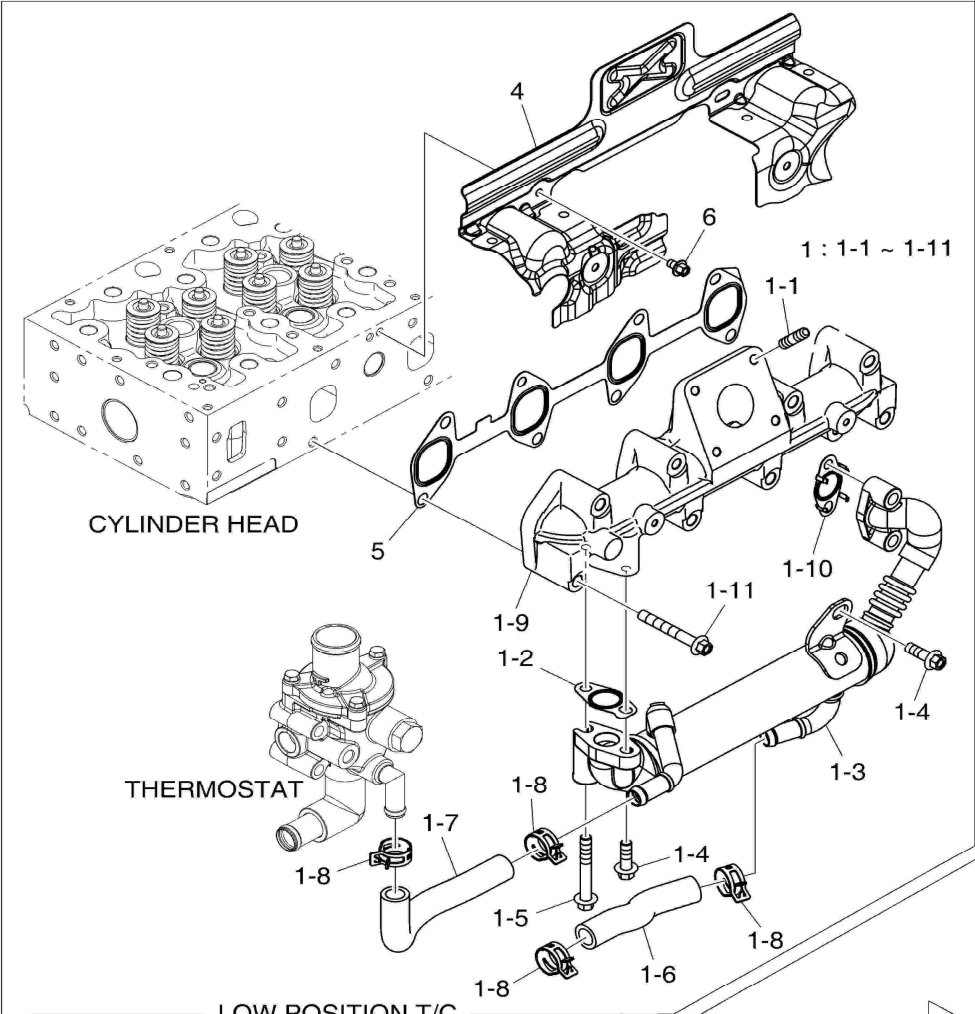
# P601 INTAKE MANIFOLD



## P601 INTAKE MANIFOLD

Key No	Part No.	Parts Name	Parts Name	Q'ty	S/C
1	240203-00375D	MANIFOLD ASSY,INTAKE	MANIFOLD ASSY,INTAKE	1	
1-1	240203-00304D	MANIFOLD,INTAKE	MANIFOLD,INTAKE	1	NS
1-2	120202-00129	CLAMP,HOSE	CLAMP,HOSE	1	
1-3	89CM612	BOLT,HEX FLANGE M6x1.0x12	BOLT,HEX FLANGE M6x1.0x12	1	
1-4	120202-00117	CLAMP,HOSE	CLAMP,HOSE	1	
1-5	89CM855	BOLT,HEX FLANGE M8x1.25x55	BOLT,HEX FLANGE M8x1.25x55	11	
1-6	89CM825	BOLT,HEX FLANGE M8x1.25x25	BOLT,HEX FLANGE M8x1.25x25	2	
1-7	420109-01874	HOSE,COOLING WATER	HOSE,COOLING WATER	1	
1-8	120402-00767	CLIP,PIPE	CLIP,PIPE	1	
2	400617-00030	GASKET,INTAKE MANIFOLD	GASKET,INTAKE MANIFOLD	1	

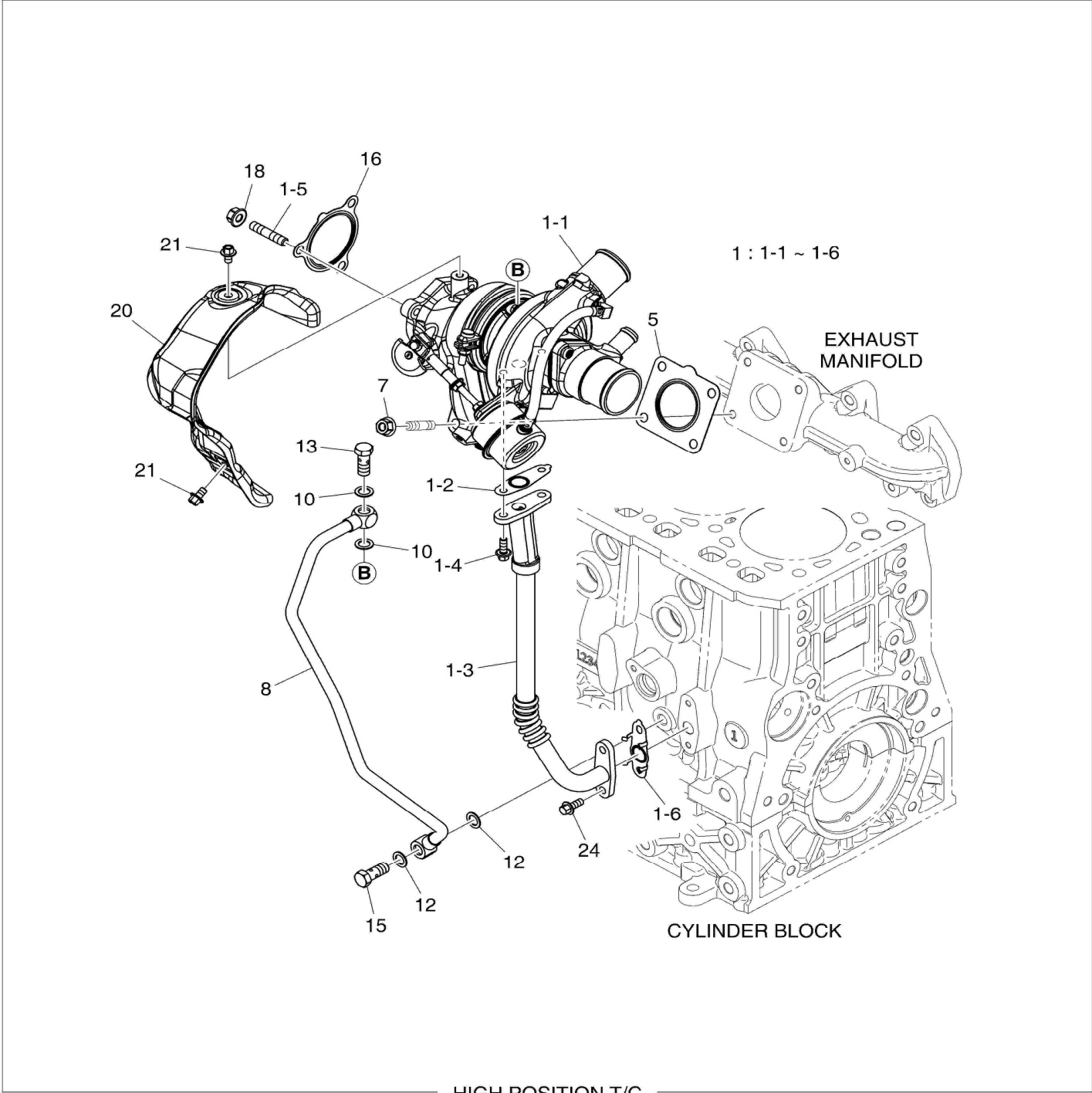
# P602 EXHAUST MANIFOLD



## P602 EXHAUST MANIFOLD

Key No	Part No.	Parts Name	Parts Name	Q'ty	S/C
1	240102-00729C	MANIFOLD ASSY,EXHAUST	MANIFOLD ASSY,EXHAUST	1	NS
1-1	06.06226-0705	BOLT,STUD M8x1.25x22	BOLT,STUD M8x1.25x22	4	
1-2	400602-00317C	GASKET	GASKET	1	
1-3	400202-00265C	COOLER,EGR	COOLER,EGR	1	
1-4	120106-01350	BOLT,HEX FLANGE M8x1.25x25	BOLT,HEX FLANGE M8x1.25x25	2	
1-5	120106-01352	BOLT,HEX FLANGE M8x1.25x60	BOLT,HEX FLANGE M8x1.25x60	1	
1-6	420108-01925B	HOSE	HOSE	1	
1-7	420108-01926	HOSE	HOSE	1	
1-8	120202-00119	CLAMP,HOSE	CLAMP,HOSE	4	
1-9	240102-00726A	MANIFOLD,EXHAUST	MANIFOLD,EXHAUST	1	
1-10	400602-01325	GASKET	GASKET	1	
1-11	120106-01352	BOLT,HEX FLANGE M8x1.25x60	BOLT,HEX FLANGE M8x1.25x60	8	
2	240102-00731C	MANIFOLD ASSY,EXHAUST	MANIFOLD ASSY,EXHAUST	1	NS
2-1	06.06226-0705	BOLT,STUD M8x1.25x22	BOLT,STUD M8x1.25x22	4	
2-2	400602-00317C	GASKET	GASKET	1	
2-3	400202-00265C	COOLER,EGR	COOLER,EGR	1	
2-4	120106-01350	BOLT,HEX FLANGE M8x1.25x25	BOLT,HEX FLANGE M8x1.25x25	2	
2-5	120106-01352	BOLT,HEX FLANGE M8x1.25x60	BOLT,HEX FLANGE M8x1.25x60	1	
2-6	420108-01925B	HOSE	HOSE	1	
2-7	420108-01926	HOSE	HOSE	1	
2-8	120202-00119	CLAMP,HOSE	CLAMP,HOSE	4	
2-9	240102-00727A	MANIFOLD,EXHAUST	MANIFOLD,EXHAUST	1	
2-10	400602-01325	GASKET	GASKET	1	
2-11	120106-01352	BOLT,HEX FLANGE M8x1.25x60	BOLT,HEX FLANGE M8x1.25x60	8	
3	111002-00247D	PROTECTOR,HEAT	PROTECTOR,HEAT	1	
4	111002-00268C	PROTECTOR,HEAT	PROTECTOR,HEAT	1	
5	400610-00052A	GASKET,EXHAUST MANIFOLD	GASKET,EXHAUST MANIFOLD	1	
6	120106-01317	BOLT,HEX FLANGE M6x1.0x10	BOLT,HEX FLANGE M6x1.0x10	4	

# P603 TURBOCHARGER



## P603 TURBOCHARGER

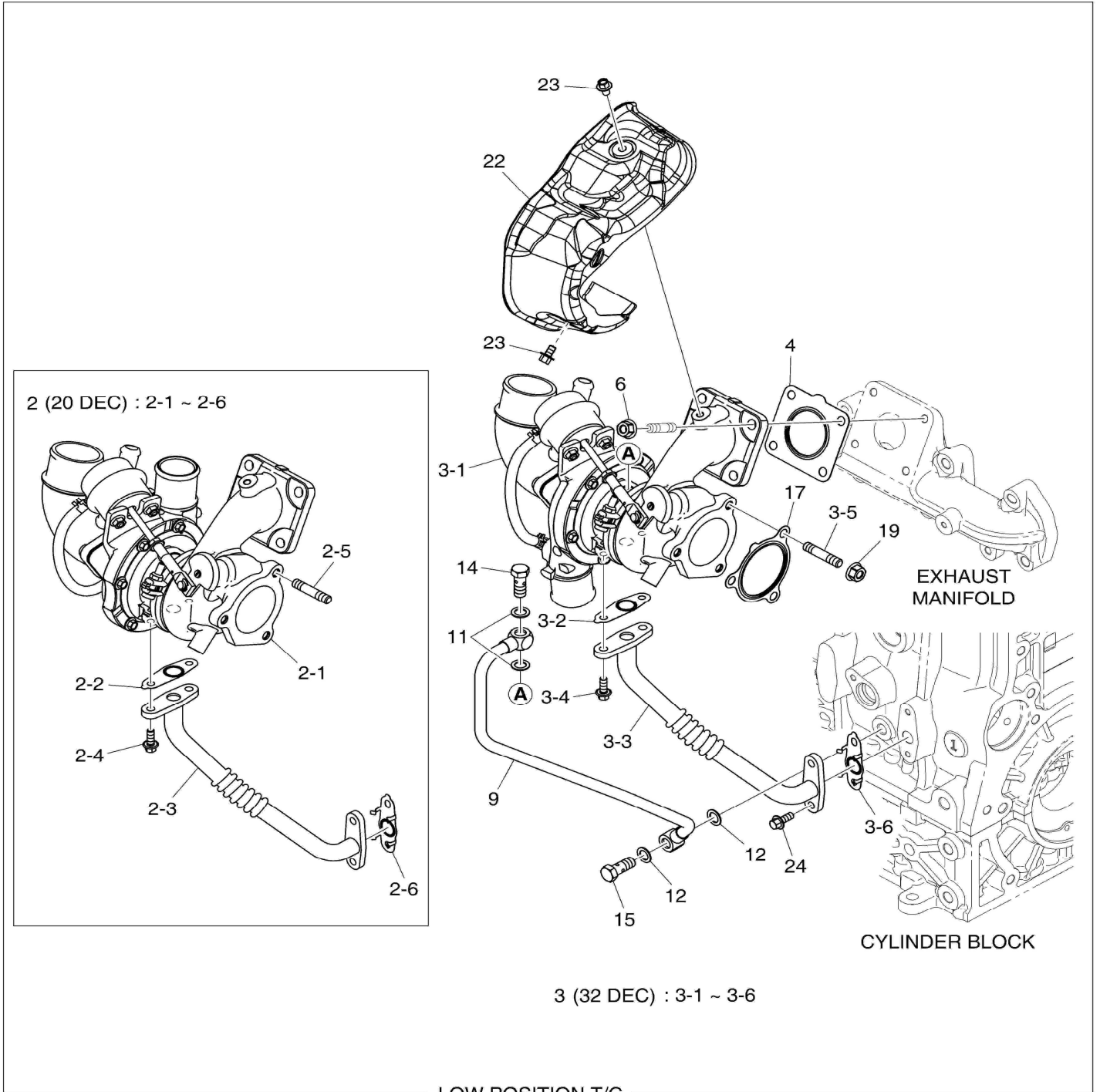
Key No	Part No.	Parts Name	Parts Name	Q'ty	S/C
1	150105-01072C	CHARGER ASSY,TURBO	CHARGER ASSY,TURBO	1	NS
1-1	150105-00919B	CHARGER ASSY,TURBO	CHARGER ASSY,TURBO	1	
1-2	400623-00029A	GASKET,OIL PIPE	GASKET,OIL PIPE	1	
1-3	420217-00591	PIPE ASSY,OIL RETURN	PIPE ASSY,OIL RETURN	1	
1-4	92CM616	BOLT,HEX FLANGE M6x1.0x16	BOLT,HEX FLANGE M6x1.0x16	2	
1-5	120117-00191	BOLT,STUD M8	BOLT,STUD M8	3	
1-6	400623-00034	GASKET,OIL PIPE	GASKET,OIL PIPE	1	
2	150105-01099B	CHARGER ASSY,TURBO	CHARGER ASSY,TURBO	1	NS
2-1	150105-00921B	CHARGER ASSY,TURBO	CHARGER ASSY,TURBO	1	
2-2	400623-00029A	GASKET,OIL PIPE	GASKET,OIL PIPE	1	
2-3	420217-00590	PIPE ASSY,OIL RETURN	PIPE ASSY,OIL RETURN	1	
2-4	92CM616	BOLT,HEX FLANGE M6x1.0x16	BOLT,HEX FLANGE M6x1.0x16	2	
2-5	120117-00191	BOLT,STUD M8	BOLT,STUD M8	3	
2-6	400623-00034	GASKET,OIL PIPE	GASKET,OIL PIPE	1	
3	150105-01132B	CHARGER ASSY,TURBO	CHARGER ASSY,TURBO	1	NS
3-1	150105-00922B	CHARGER ASSY,TURBO	CHARGER ASSY,TURBO	1	
3-2	400623-00029A	GASKET,OIL PIPE	GASKET,OIL PIPE	1	
3-3	420217-00590	PIPE ASSY,OIL RETURN	PIPE ASSY,OIL RETURN	1	
3-4	92CM616	BOLT,HEX FLANGE M6x1.0x16	BOLT,HEX FLANGE M6x1.0x16	2	
3-5	120117-00191	BOLT,STUD M8	BOLT,STUD M8	3	
3-6	400623-00034	GASKET,OIL PIPE	GASKET,OIL PIPE	1	
4	400629-00036	GASKET,TURBOCHARGER	GASKET,TURBOCHARGER	1	
5	400629-00036	GASKET,TURBOCHARGER	GASKET,TURBOCHARGER	1	
6	43DM8	NUT M8x1.25	NUT M8x1.25	4	
7	43DM8	NUT M8x1.25	NUT M8x1.25	4	
8	420214-00695A	PIPE ASSY,OIL DELIVERY	PIPE ASSY,OIL DELIVERY	1	
9	420214-00697	PIPE ASSY,OIL DELIVERY	PIPE ASSY,OIL DELIVERY	1	
10	06.56180-0716	RING,SEAL A10x16	RING,SEAL A10x16	2	
11	06.56180-0716	RING,SEAL A10x16	RING,SEAL A10x16	2	
12	06.56180-0716	RING,SEAL A10x16	RING,SEAL A10x16	2	
13	120703-00080	SCREW,HOLLOW	SCREW,HOLLOW	1	



## P603 TURBOCHARGER

Key No	Part No.	Parts Name	Parts Name	Q'ty	S/C
14	120703-00080	SCREW,HOLLOW	SCREW,HOLLOW	1	
15	120703-00080	SCREW,HOLLOW	SCREW,HOLLOW	1	
16	400629-00037	GASKET,TURBOCHARGER	GASKET,TURBOCHARGER	1	
17	400629-00037	GASKET,TURBOCHARGER	GASKET,TURBOCHARGER	1	
18	43DM8	NUT M8x1.25	NUT M8x1.25	3	
19	43DM8	NUT M8x1.25	NUT M8x1.25	3	
20	111002-00276B	PROTECTOR,HEAT	PROTECTOR,HEAT	1	
21	120106-01317	BOLT,HEX FLANGE M6x1.0x10	BOLT,HEX FLANGE M6x1.0x10	2	
22	111002-00276B	PROTECTOR,HEAT	PROTECTOR,HEAT	1	
23	120106-01317	BOLT,HEX FLANGE M6x1.0x10	BOLT,HEX FLANGE M6x1.0x10	2	
24	92CM616	BOLT,HEX FLANGE M6x1.0x16	BOLT,HEX FLANGE M6x1.0x16	2	

# P603 TURBOCHARGER



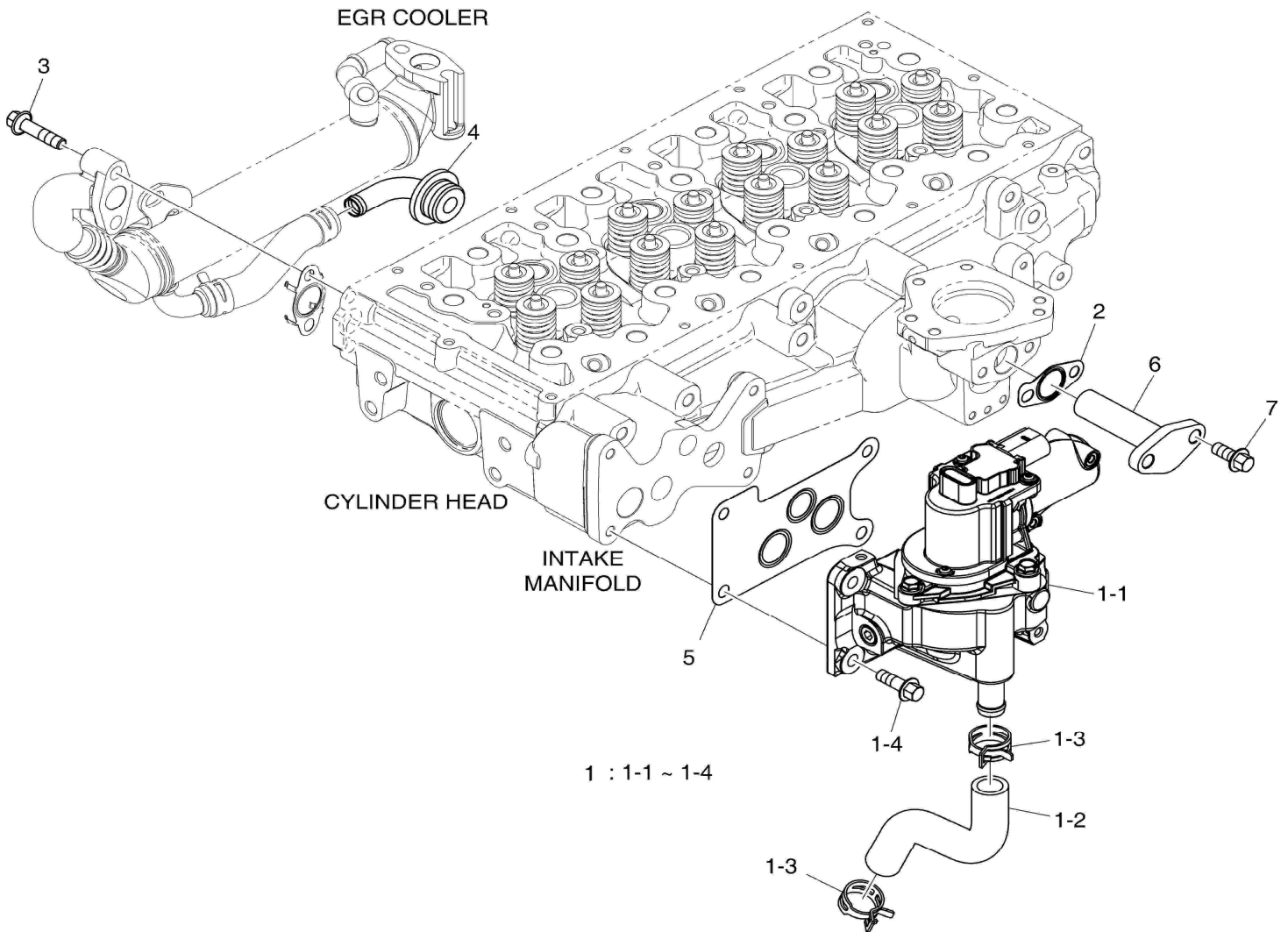
## P603 TURBOCHARGER

Key No	Part No.	Parts Name	Parts Name	Q'ty	S/C
1	150105-01072C	CHARGER ASSY,TURBO	CHARGER ASSY,TURBO	1	NS
1-1	150105-00919B	CHARGER ASSY,TURBO	CHARGER ASSY,TURBO	1	
1-2	400623-00029A	GASKET,OIL PIPE	GASKET,OIL PIPE	1	
1-3	420217-00591	PIPE ASSY,OIL RETURN	PIPE ASSY,OIL RETURN	1	
1-4	92CM616	BOLT,HEX FLANGE M6x1.0x16	BOLT,HEX FLANGE M6x1.0x16	2	
1-5	120117-00191	BOLT,STUD M8	BOLT,STUD M8	3	
1-6	400623-00034	GASKET,OIL PIPE	GASKET,OIL PIPE	1	
2	150105-01099B	CHARGER ASSY,TURBO	CHARGER ASSY,TURBO	1	NS
2-1	150105-00921B	CHARGER ASSY,TURBO	CHARGER ASSY,TURBO	1	
2-2	400623-00029A	GASKET,OIL PIPE	GASKET,OIL PIPE	1	
2-3	420217-00590	PIPE ASSY,OIL RETURN	PIPE ASSY,OIL RETURN	1	
2-4	92CM616	BOLT,HEX FLANGE M6x1.0x16	BOLT,HEX FLANGE M6x1.0x16	2	
2-5	120117-00191	BOLT,STUD M8	BOLT,STUD M8	3	
2-6	400623-00034	GASKET,OIL PIPE	GASKET,OIL PIPE	1	
3	150105-01132B	CHARGER ASSY,TURBO	CHARGER ASSY,TURBO	1	NS
3-1	150105-00922B	CHARGER ASSY,TURBO	CHARGER ASSY,TURBO	1	
3-2	400623-00029A	GASKET,OIL PIPE	GASKET,OIL PIPE	1	
3-3	420217-00590	PIPE ASSY,OIL RETURN	PIPE ASSY,OIL RETURN	1	
3-4	92CM616	BOLT,HEX FLANGE M6x1.0x16	BOLT,HEX FLANGE M6x1.0x16	2	
3-5	120117-00191	BOLT,STUD M8	BOLT,STUD M8	3	
3-6	400623-00034	GASKET,OIL PIPE	GASKET,OIL PIPE	1	
4	400629-00036	GASKET,TURBOCHARGER	GASKET,TURBOCHARGER	1	
5	400629-00036	GASKET,TURBOCHARGER	GASKET,TURBOCHARGER	1	
6	43DM8	NUT M8x1.25	NUT M8x1.25	4	
7	43DM8	NUT M8x1.25	NUT M8x1.25	4	
8	420214-00695A	PIPE ASSY,OIL DELIVERY	PIPE ASSY,OIL DELIVERY	1	
9	420214-00697	PIPE ASSY,OIL DELIVERY	PIPE ASSY,OIL DELIVERY	1	
10	06.56180-0716	RING,SEAL A10x16	RING,SEAL A10x16	2	
11	06.56180-0716	RING,SEAL A10x16	RING,SEAL A10x16	2	
12	06.56180-0716	RING,SEAL A10x16	RING,SEAL A10x16	2	
13	120703-00080	SCREW,HOLLOW	SCREW,HOLLOW	1	

## P603 TURBOCHARGER

Key No	Part No.	Parts Name	Parts Name	Q'ty	S/C
14	120703-00080	SCREW,HOLLOW	SCREW,HOLLOW	1	
15	120703-00080	SCREW,HOLLOW	SCREW,HOLLOW	1	
16	400629-00037	GASKET,TURBOCHARGER	GASKET,TURBOCHARGER	1	
17	400629-00037	GASKET,TURBOCHARGER	GASKET,TURBOCHARGER	1	
18	43DM8	NUT M8x1.25	NUT M8x1.25	3	
19	43DM8	NUT M8x1.25	NUT M8x1.25	3	
20	111002-00276B	PROTECTOR,HEAT	PROTECTOR,HEAT	1	
21	120106-01317	BOLT,HEX FLANGE M6x1.0x10	BOLT,HEX FLANGE M6x1.0x10	2	
22	111002-00276B	PROTECTOR,HEAT	PROTECTOR,HEAT	1	
23	120106-01317	BOLT,HEX FLANGE M6x1.0x10	BOLT,HEX FLANGE M6x1.0x10	2	
24	92CM616	BOLT,HEX FLANGE M6x1.0x16	BOLT,HEX FLANGE M6x1.0x16	2	

# P604 EGR

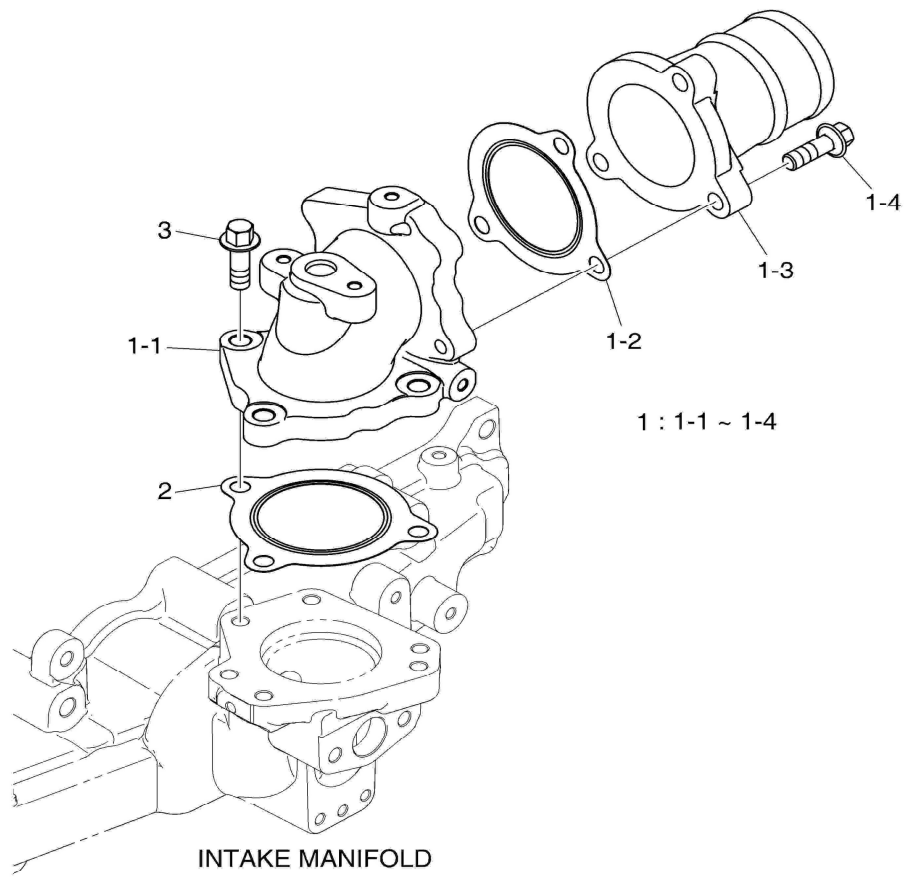


## P604 EGR

Key No	Part No.	Parts Name	Parts Name	Q'ty	S/C
1	410116-01769A	VALVE SUB ASSY	VALVE SUB ASSY	1	NS
1-1	410116-01369C	VALVE,EGR	VALVE,EGR	1	
1-2	420108-01927	HOSE	HOSE	1	
1-3	120202-00129	CLAMP,HOSE	CLAMP,HOSE	2	
1-4	89CM825	BOLT,HEX FLANGE M8x1.25x25	BOLT,HEX FLANGE M8x1.25x25	4	
2	400602-00317C	GASKET	GASKET	1	
3	89CM835	BOLT,HEX FLANGE M8x1.25x35	BOLT,HEX FLANGE M8x1.25x35	2	
4	430221-01559	PLUG	PLUG	1	
5	400602-01053	GASKET,EGR VALVE	GASKET,EGR VALVE	1	
6	101550-00060B	PIPE,EGR MIXER	PIPE,EGR MIXER	1	
7	89CM820	BOLT,HEX FLANGE M8x1.25x20	BOLT,HEX FLANGE M8x1.25x20	2	

# P607 INTAKE STAKE

---



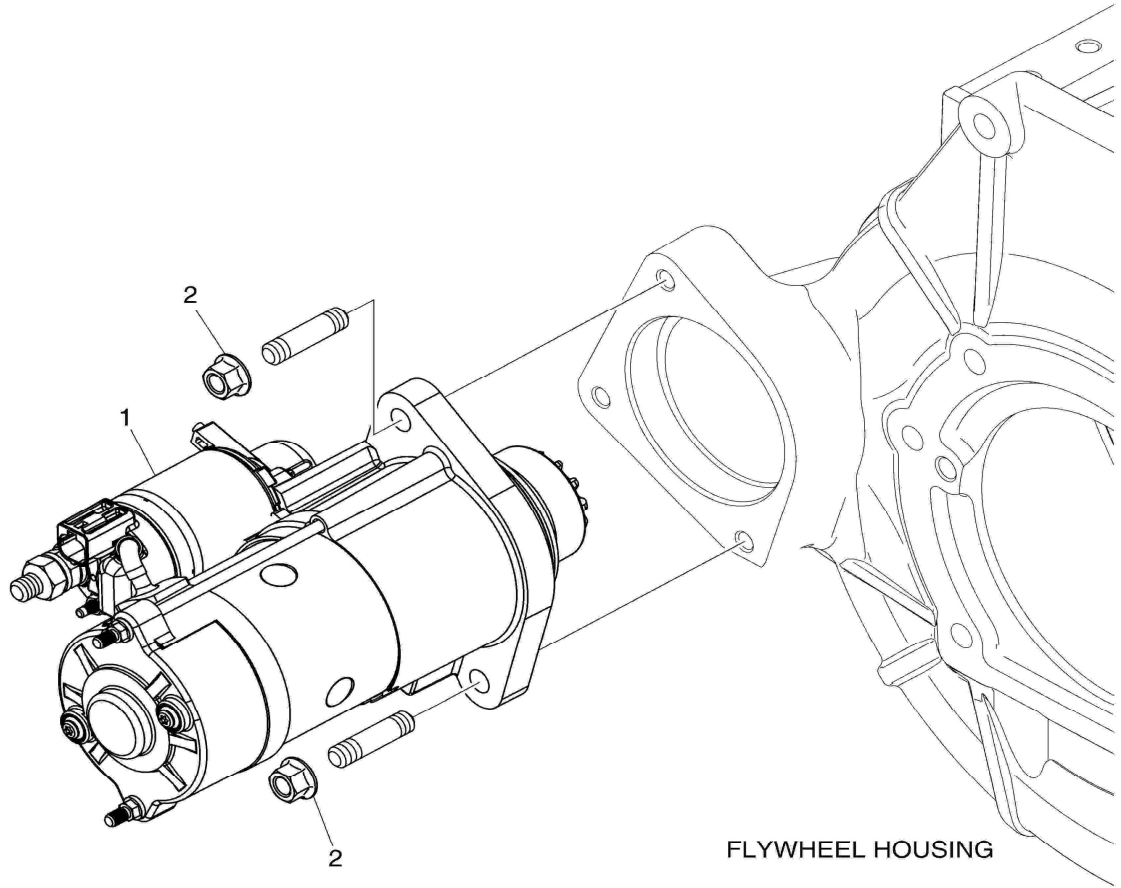
## P607 INTAKE STAKE

Key No	Part No.	Parts Name	Parts Name	Q'ty	S/C
1	240401-00446B	INTAKE ASSY	INTAKE ASSY	1	NS
1-1	240401-00354C	STAKE,INTAKE	STAKE,INTAKE	1	
1-2	400607-00002A	GASKET,AIR HEATER	GASKET,AIR HEATER	1	
1-3	240401-00100	PIPE,AIR INLET	PIPE,AIR INLET	1	
1-4	89CM825	BOLT,HEX FLANGE M8x1.25x25	BOLT,HEX FLANGE M8x1.25x25	3	
2	400607-00002A	GASKET,AIR HEATER	GASKET,AIR HEATER	1	
3	89CM825	BOLT,HEX FLANGE M8x1.25x25	BOLT,HEX FLANGE M8x1.25x25	3	



# P701 STARTER

---

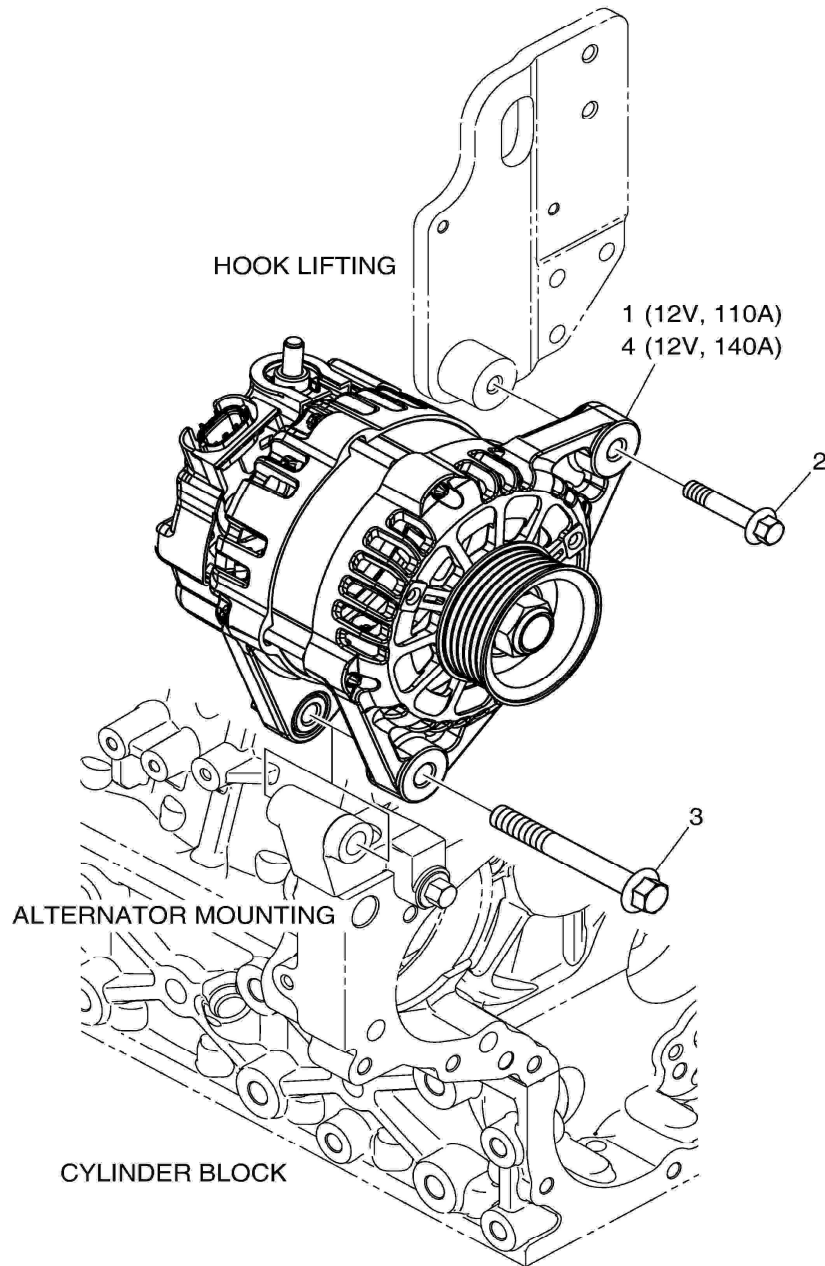


# P701 STARTER

Key No	Part No.	Parts Name	Parts Name	Q'ty	S/C
1	300516-00126C	STARTER (12Vx2.5kW)	STARTER (12Vx2.5kW)	1	
2	120305-00003	NUT,FLANGE M10x1.5	NUT,FLANGE M10x1.5	3	

# P703 ALTERNATOR

---

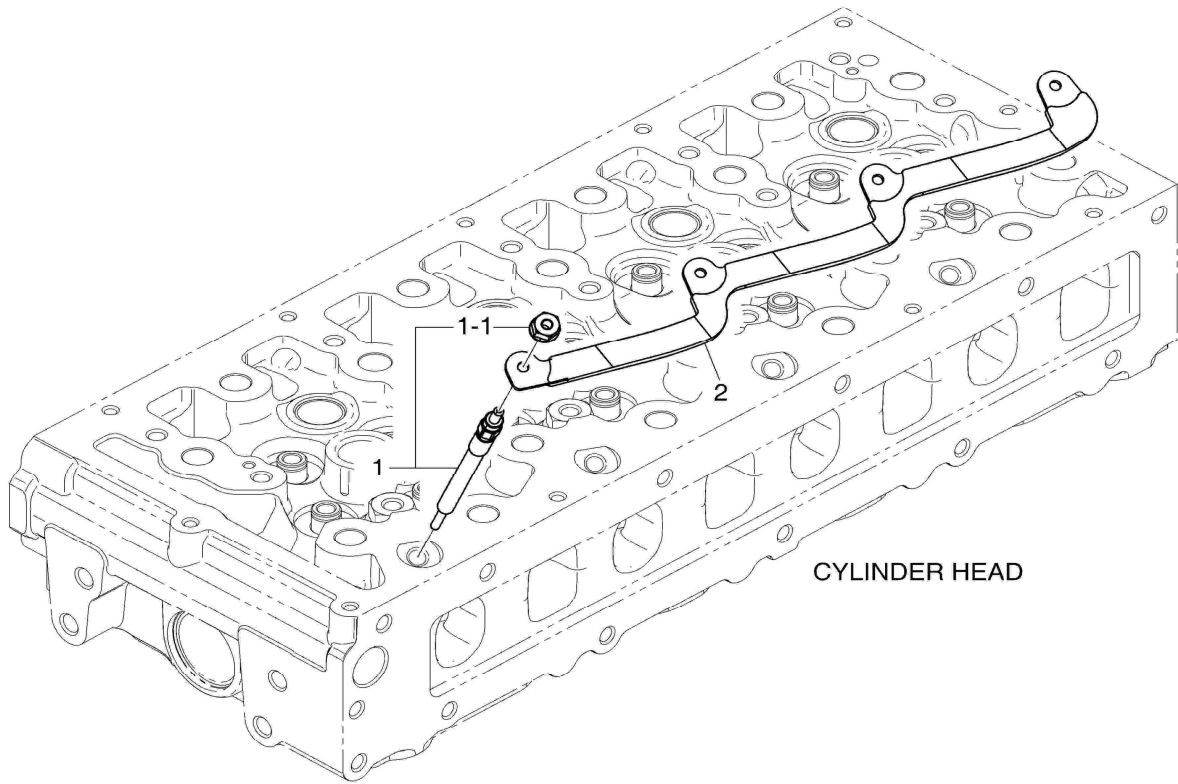


## P703 ALTERNATOR

Key No	Part No.	Parts Name	Parts Name	Q'ty	S/C
1	300901-00183A	ALTERNATOR (13.5Vx110A)	ALTERNATOR (13.5Vx110A)	1	
2	89CM840	BOLT,HEX FLANGE M8x1.25x40	BOLT,HEX FLANGE M8x1.25x40	1	
3	36CM1080	BOLT,HEX FLANGE M12x80	BOLT,HEX FLANGE M12x80	1	
4	300901-00189A	ALTERNATOR (13.5Vx140A)	ALTERNATOR (13.5Vx140A)	1	

# P704 AIR HTR RELAY & GLOW PLUG

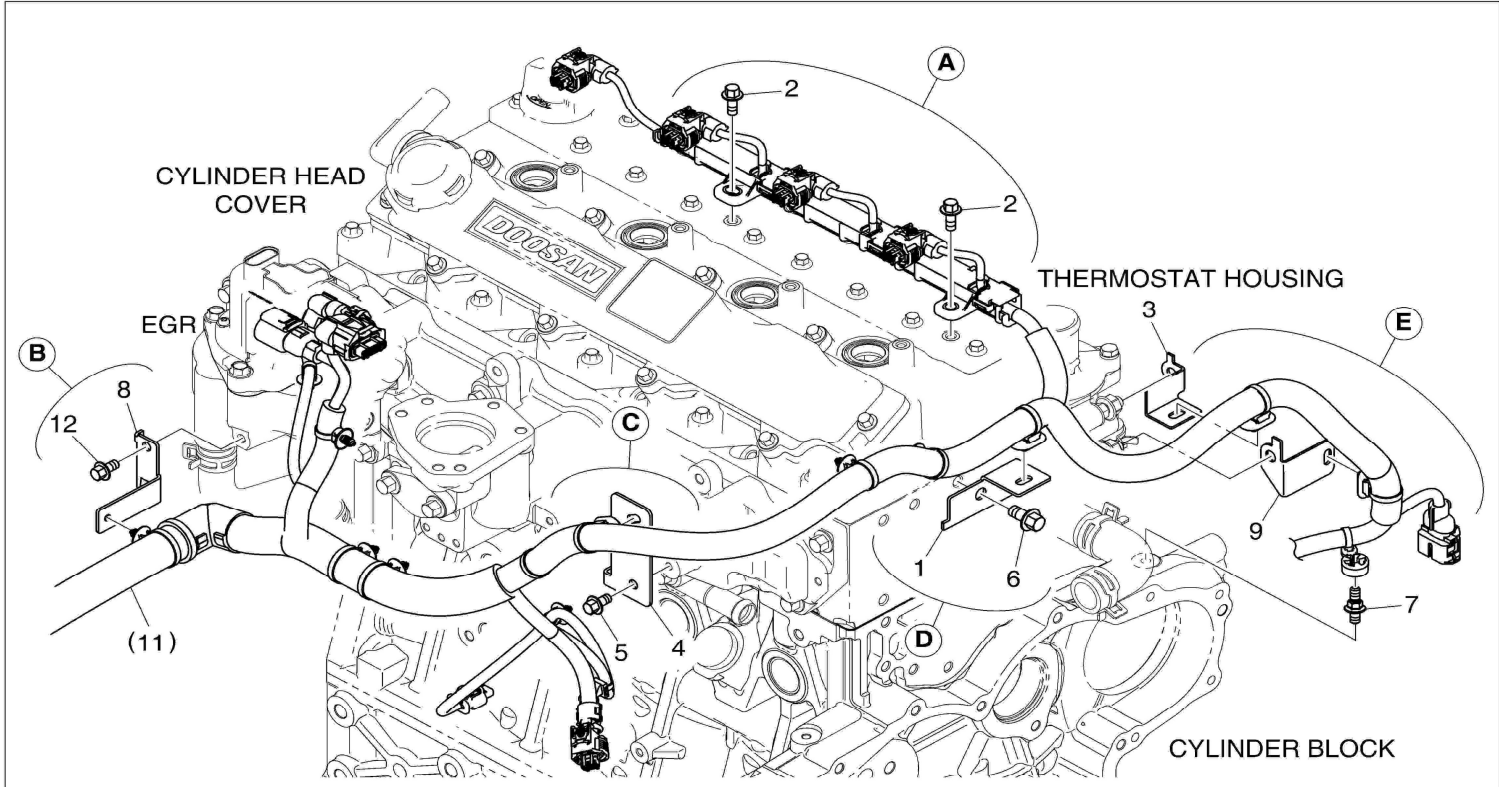
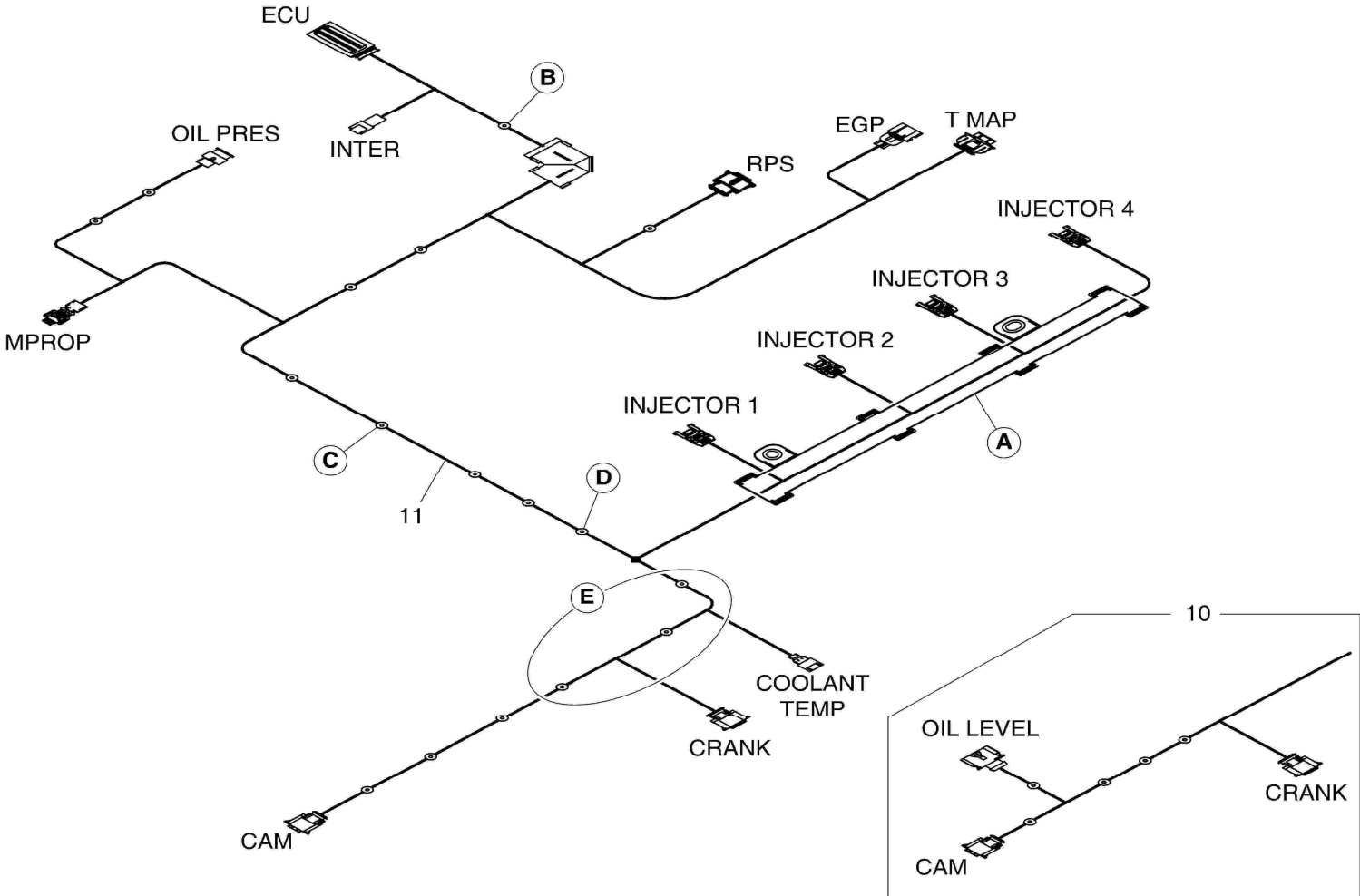
---



## P704 AIR HTR RELAY & GLOW PLUG

Key No	Part No.	Parts Name	Parts Name	Qty	S/C
1	300622-00036	PLUG,GLOW	PLUG,GLOW	4	
1-1	120307-00333	NUT,HEX M4x0.7	NUT,HEX M4x0.7	4	
2	300203-00021	CONNECTION,PLATE	CONNECTION,PLATE	1	

# P705 WIRE HARNESS

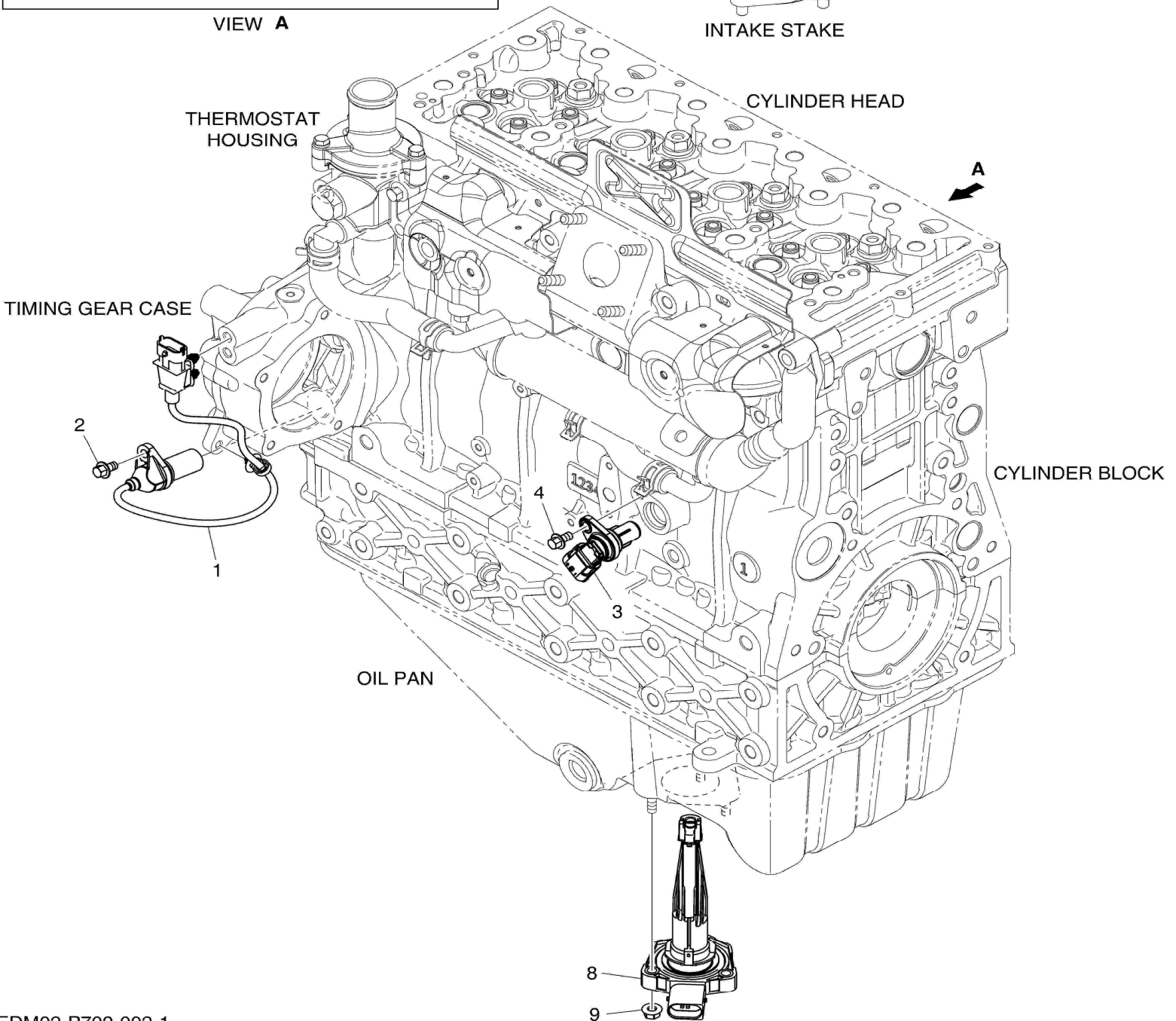
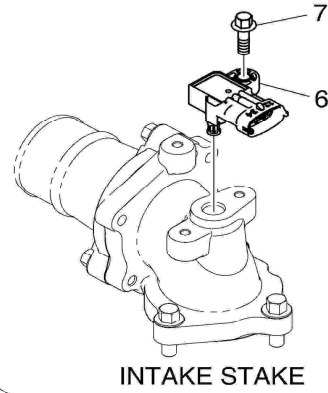
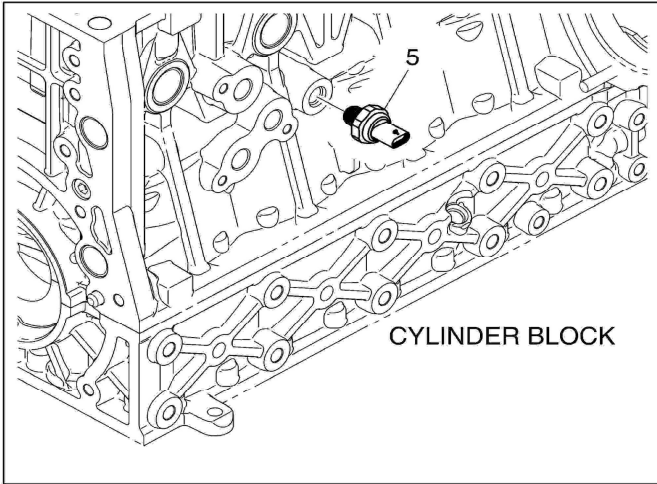


## P705 WIRE HARNESS

Key No	Part No.	Parts Name	Parts Name	Q'ty	S/C
1	110452-00329	BRACKET,HARNESS	BRACKET,HARNESS	1	
2	89CM616	BOLT,HEX FLANGE M6x1.0x16	BOLT,HEX FLANGE M6x1.0x16	2	
3	110452-00097	BRACKET,WIRE HARNESS	BRACKET,WIRE HARNESS	1	
4	110452-00327	BRACKET,HARNESS	BRACKET,HARNESS	1	
5	89CM612	BOLT,HEX FLANGE M6x1.0x12	BOLT,HEX FLANGE M6x1.0x12	1	
6	89CM816	BOLT,HEX FLANGE M8x1.25x16	BOLT,HEX FLANGE M8x1.25x16	1	
7	120122-00097	BOLT,SPACER M6x1.0 (8.8T)	BOLT,SPACER M6x1.0 (8.8T)	1	
8	110452-00360	BRACKET,HARNESS	BRACKET,HARNESS	1	
9	110452-00400	BRACKET,HARNESS	BRACKET,HARNESS	1	
10	310207-07769B	HARNESS,ENGINE	HARNESS,ENGINE	1	
11	310207-07770A	HARNESS,ENGINE	HARNESS,ENGINE	1	
12	89CM612	BOLT,HEX FLANGE M6x1.0x12	BOLT,HEX FLANGE M6x1.0x12	1	



# P709 SWITCH & SENSOR

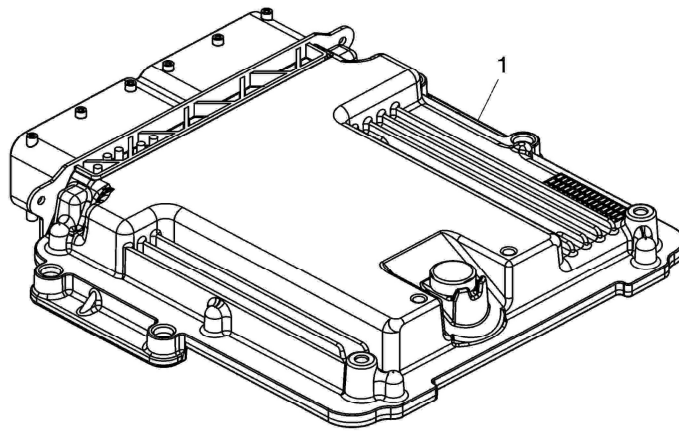


## P709 SWITCH & SENSOR

Key No	Part No.	Parts Name	Parts Name	Q'ty	S/C
1	301310-00088	SENSOR,CRANK	SENSOR,CRANK	1	
2	89CM612	BOLT,HEX FLANGE M6x1.0x12	BOLT,HEX FLANGE M6x1.0x12	1	
3	301308-01004	SENSOR,CAM	SENSOR,CAM	1	
4	89CM612	BOLT,HEX FLANGE M6x1.0x12	BOLT,HEX FLANGE M6x1.0x12	1	
5	301308-01133A	SENSOR,OIL PRESSURE	SENSOR,OIL PRESSURE	1	
6	301318-00007A	SENSOR,BOOST P/T	SENSOR,BOOST P/T	1	
7	89CM620	BOLT,HEX FLANGE M6x1.0x20	BOLT,HEX FLANGE M6x1.0x20	1	
8	301308-00971	SENSOR,OIL LEVEL	SENSOR,OIL LEVEL	1	
9	43DM6	NUT M6x1.0	NUT M6x1.0	3	

# P713 E.C.U

---

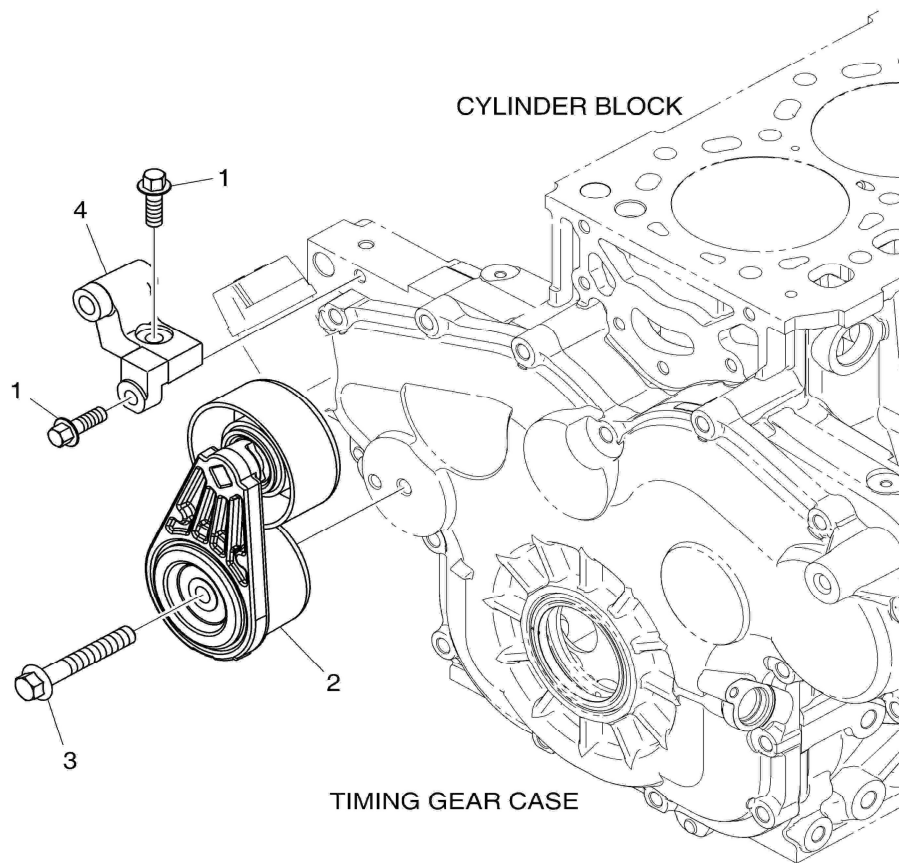


P713 E.C.U

Key No	Part No.	Parts Name	Parts Name	Q'ty	S/C
1	300618-00145	ECU	ECU	1	

# P801 ALTERNATOR MOUNTING

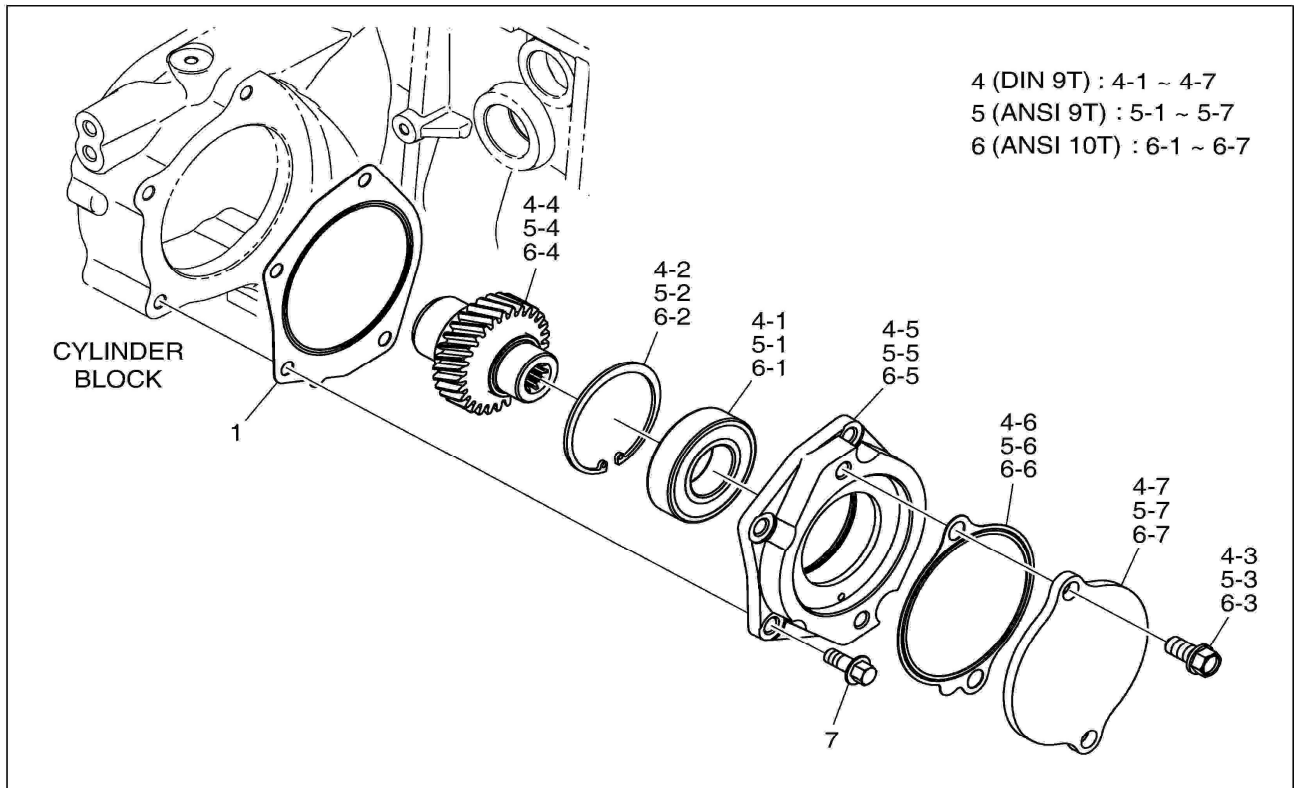
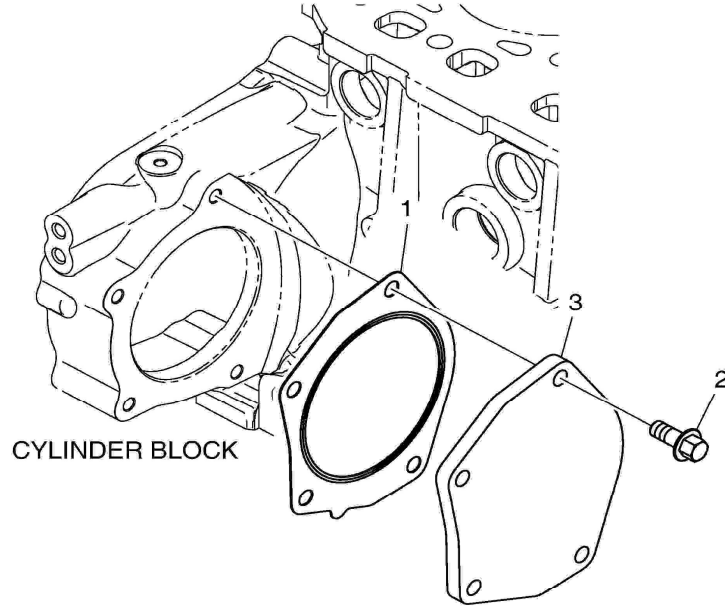
---



## P801 ALTERNATOR MOUNTING

Key No	Part No.	Parts Name	Parts Name	Q'ty	S/C
1	89CM825	BOLT,HEX FLANGE M8x1.25x25	BOLT,HEX FLANGE M8x1.25x25	2	
2	130206-00037	TENSIONER,AUTO	TENSIONER,AUTO	1	
3	90CM1065	BOLT,HEX FLANGE M10x65	BOLT,HEX FLANGE M10x65	1	
4	110403-00230C	BRACKET,ALTERNATOR MOUNTING	BRACKET,ALTERNATOR MOUNTING	1	

# P805 POWER TAKE OFF

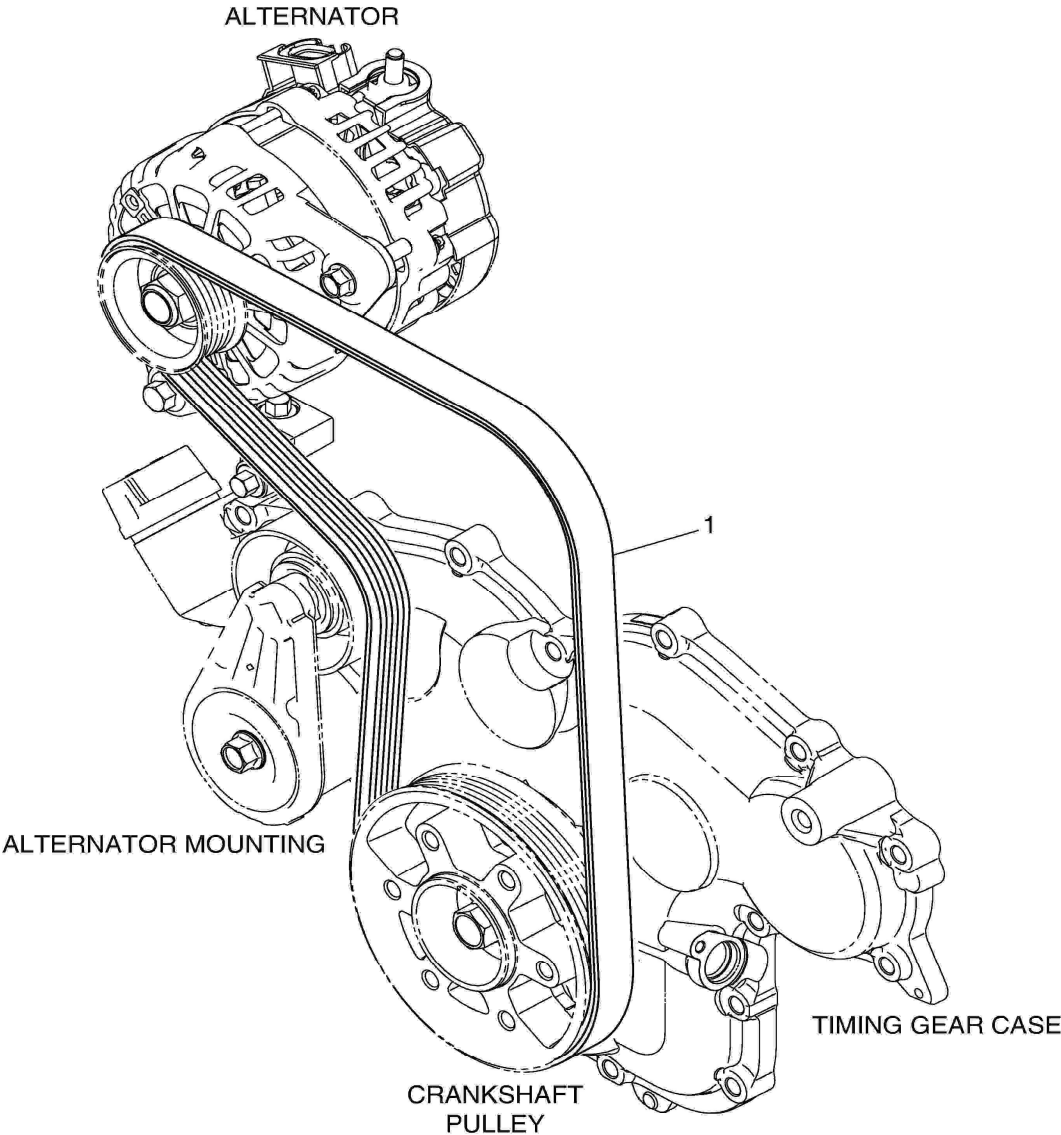


## P805 POWER TAKE OFF

Key No	Part No.	Parts Name	Parts Name	Q'ty	S/C
1	400602-01047	GASKET	GASKET	1	
2	89CM820	BOLT,HEX FLANGE M8x1.25x20	BOLT,HEX FLANGE M8x1.25x20	4	
3	110531-00026	COVER,PTO	COVER,PTO	1	
4	130807-00057B	PTO ASSY	PTO ASSY	1	
4-1	140101-01012	BEARING,BALL	BEARING,BALL	1	
4-2	06.29020-0136	RING,SNAP 62X2	RING,SNAP 62X2	1	
4-3	65.90020-0062B	BOLT,HEX M10x20	BOLT,HEX M10x20	2	
4-4	130412-00259	GEAR,PTO DRIVE	GEAR,PTO DRIVE	1	
4-5	110978-00024	HOUSING,PTO	HOUSING,PTO	1	
4-6	400602-01162	GASKET	GASKET	1	
4-7	110531-00029	COVER,PTO	COVER,PTO	1	
5	130807-00063A	PTO ASSY	PTO ASSY	1	
5-1	140101-01012	BEARING,BALL	BEARING,BALL	1	
5-2	06.29020-0136	RING,SNAP 62X2	RING,SNAP 62X2	1	
5-3	65.90020-0062B	BOLT,HEX M10x20	BOLT,HEX M10x20	2	
5-4	130412-00275A	GEAR,PTO DRIVE	GEAR,PTO DRIVE	1	
5-5	110978-00024	HOUSING,PTO	HOUSING,PTO	1	
5-6	400602-01162	GASKET	GASKET	1	
5-7	110531-00029	COVER,PTO	COVER,PTO	1	
6	130807-00066A	PTO ASSY	PTO ASSY	1	
6-1	140101-01012	BEARING,BALL	BEARING,BALL	1	
6-2	06.29020-0136	RING,SNAP 62X2	RING,SNAP 62X2	1	
6-3	65.90020-0062B	BOLT,HEX M10x20	BOLT,HEX M10x20	2	
6-4	130412-00277A	GEAR,PTO DRIVE	GEAR,PTO DRIVE	1	
6-5	110978-00024	HOUSING,PTO	HOUSING,PTO	1	
6-6	400602-01162	GASKET	GASKET	1	
6-7	110531-00029	COVER,PTO	COVER,PTO	1	
7	89CM820	BOLT,HEX FLANGE M8x1.25x20	BOLT,HEX FLANGE M8x1.25x20	4	



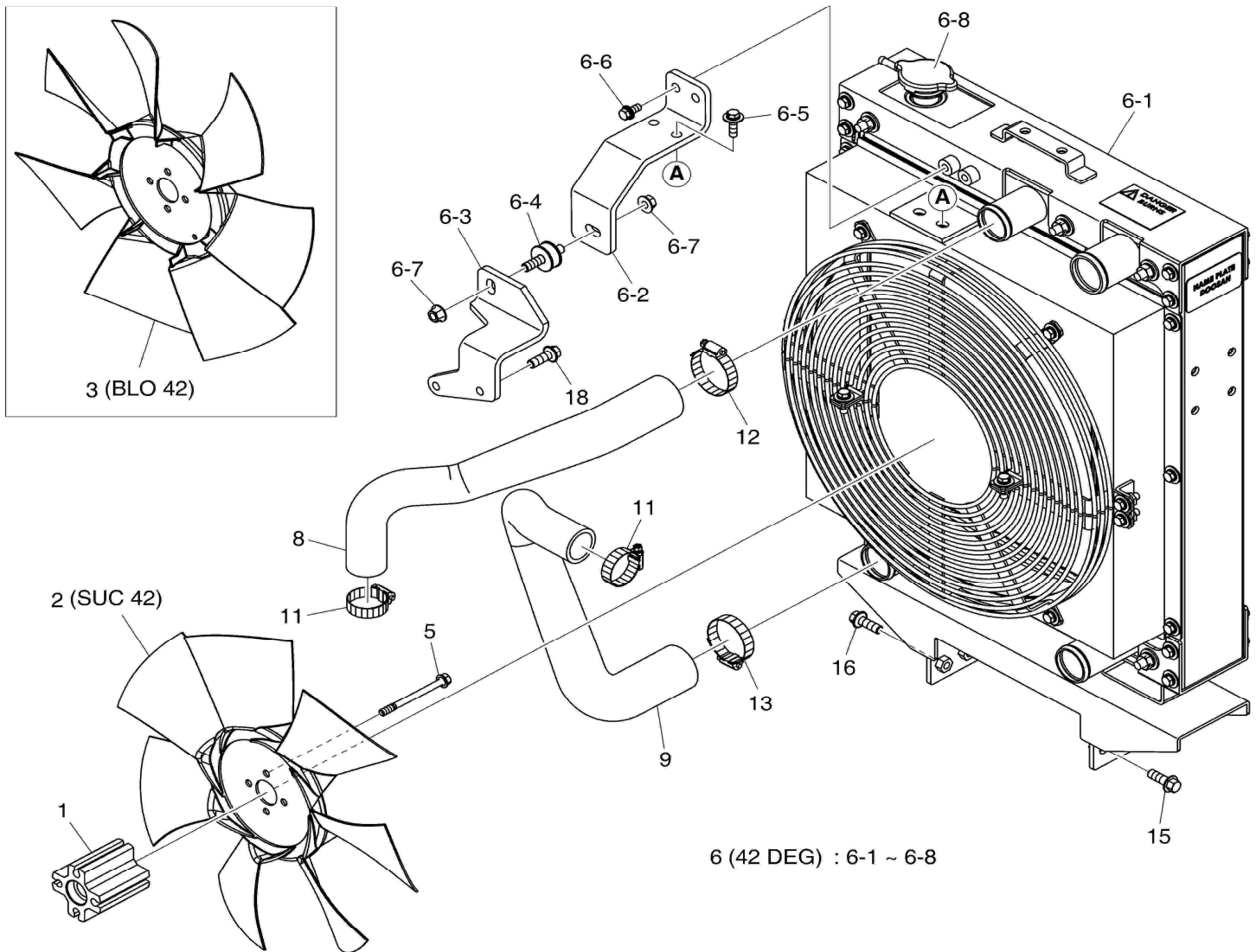
# P815 COOLING FAN



P815 COOLING FAN

Key No	Part No.	Parts Name	Parts Name	Q'ty	S/C
1	130205-00512	V-BELT	V-BELT	1	

# P901 GENERAL ACCESSORIES-HEAD&COOLING



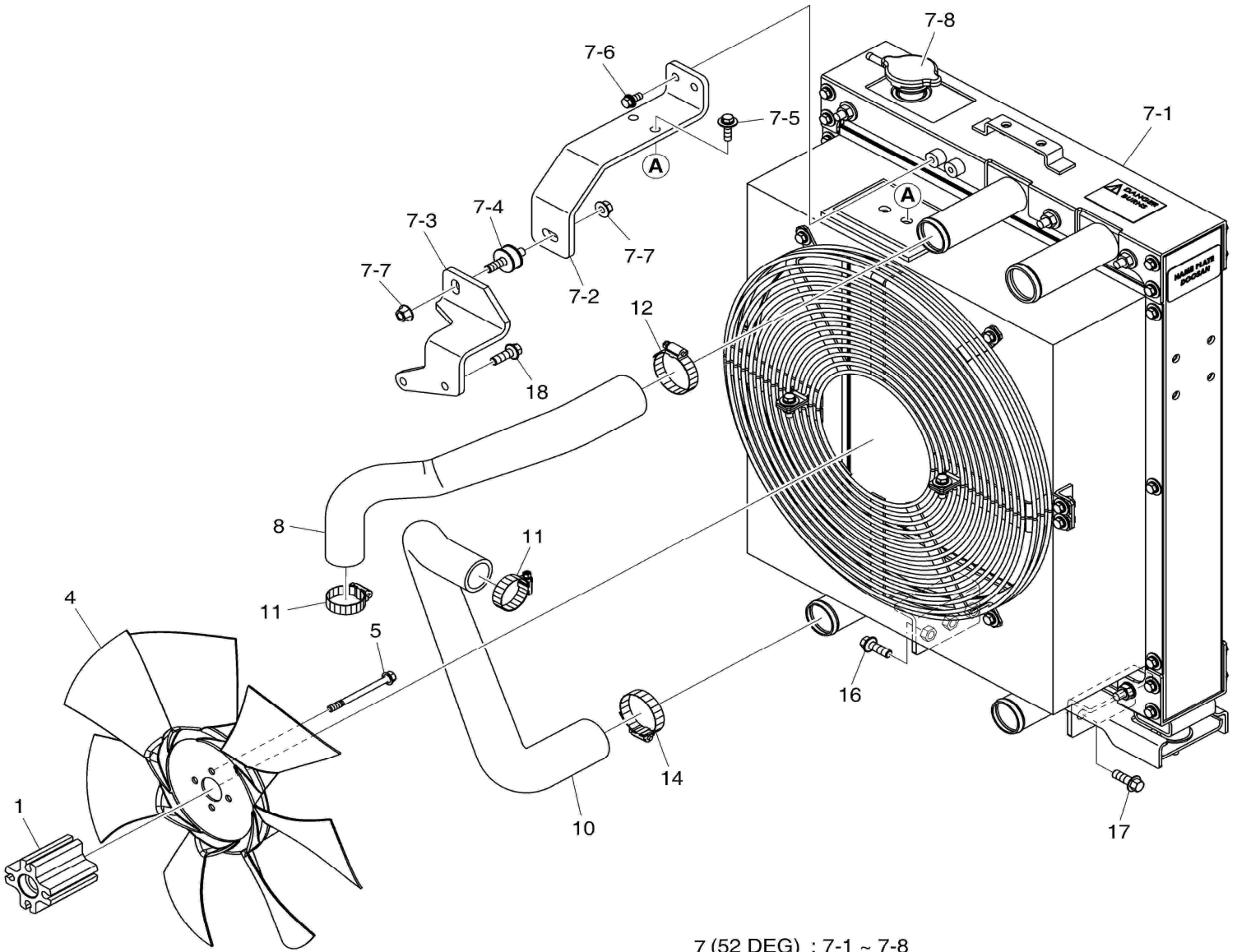
## P901 GENERAL ACCESSORIES-HEAD&COOLING

Key No	Part No.	Parts Name	Parts Name	Q'ty	S/C
1	430215-01986	FLANGE,FAN	FLANGE,FAN	1	
2	210101-00578	FAN,COOLING	FAN,COOLING	1	
3	210101-00579	FAN,COOLING	FAN,COOLING	1	
4	210101-00580	FAN,COOLING	FAN,COOLING	1	
5	120106-00690	BOLT,HEX FLANGE M8x1.25x93	BOLT,HEX FLANGE M8x1.25x93	4	
6	440211-01155D	RADIATOR ASSY	RADIATOR ASSY	1	
6-1	440211-01660	RADIATOR ASSY	RADIATOR ASSY	1	
6-2	110406-08967	BRACKET,RADIATOR	BRACKET,RADIATOR	1	
6-3	110406-08966	BRACKET,RADIATOR	BRACKET,RADIATOR	1	
6-4	180204-00384	RUBBER,MOUNT	RUBBER,MOUNT	1	
6-5	120106-01921	BOLT SET M8x1.25x35	BOLT SET M8x1.25x35	2	
6-6	120106-01922	BOLT SET M8x1.25x20	BOLT SET M8x1.25x20	2	
6-7	120305-00103	NUT,HEX FLANGE M10x1.25	NUT,HEX FLANGE M10x1.25	2	
6-8	110911-00644	CAP,FILLER	CAP,FILLER	1	
7	440211-01157D	RADIATOR ASSY	RADIATOR ASSY	1	
7-1	440211-01661	RADIATOR ASSY	RADIATOR ASSY	1	
7-2	110406-08968	BRACKET,RADIATOR	BRACKET,RADIATOR	1	
7-3	110406-08966	BRACKET,RADIATOR	BRACKET,RADIATOR	1	
7-4	180204-00384	RUBBER,MOUNT	RUBBER,MOUNT	1	
7-5	120106-01921	BOLT SET M8x1.25x35	BOLT SET M8x1.25x35	2	
7-6	120106-01922	BOLT SET M8x1.25x20	BOLT SET M8x1.25x20	2	
7-7	120305-00103	NUT,HEX FLANGE M10x1.25	NUT,HEX FLANGE M10x1.25	2	
7-8	110911-00644	CAP,FILLER	CAP,FILLER	1	
8	420109-01326	HOSE,COOLING WATER	HOSE,COOLING WATER	1	
9	420109-01327	HOSE,COOLING WATER	HOSE,COOLING WATER	1	
10	420109-01328	HOSE,COOLING WATER	HOSE,COOLING WATER	1	
11	120202-00234	CLAMP,HOSE	CLAMP,HOSE	2	
12	120202-00236	CLAMP,HOSE	CLAMP,HOSE	1	
13	120202-00236	CLAMP,HOSE	CLAMP,HOSE	1	
14	120202-00236	CLAMP,HOSE	CLAMP,HOSE	1	
15	90CM1030	BOLT,HEX FLANGE M10x1.5x30	BOLT,HEX FLANGE M10x1.5x30	4	

## P901 GENERAL ACCESSORIES-HEAD&COOLING

Key No	Part No.	Parts Name	Parts Name	Q'ty	S/C
16	90CM1030	BOLT,HEX FLANGE M10x1.5x30	BOLT,HEX FLANGE M10x1.5x30	2	
17	90CM1030	BOLT,HEX FLANGE M10x1.5x30	BOLT,HEX FLANGE M10x1.5x30	4	
18	89CM820	BOLT,HEX FLANGE M8x1.25x20	BOLT,HEX FLANGE M8x1.25x20	2	

# P901 GENERAL ACCESSORIES-HEAD&COOLING



7 (52 DEG) : 7-1 ~ 7-8

## P901 GENERAL ACCESSORIES-HEAD&COOLING

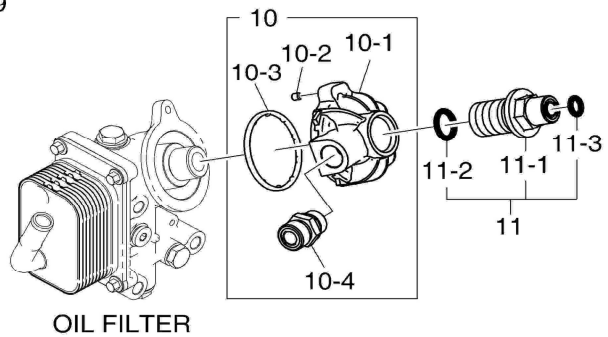
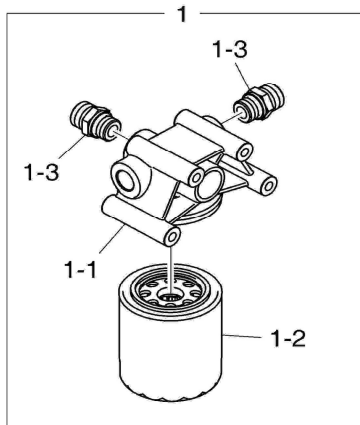
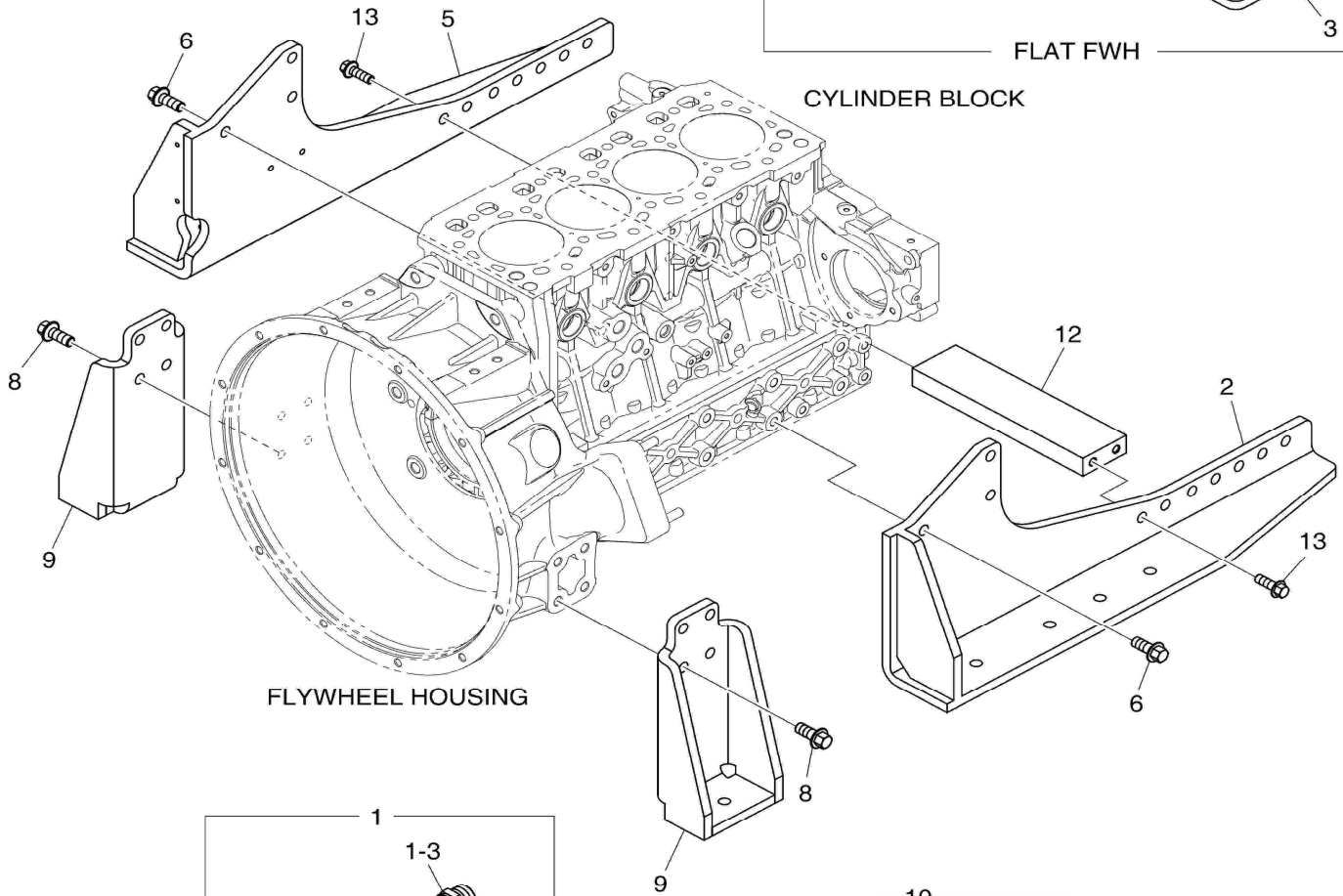
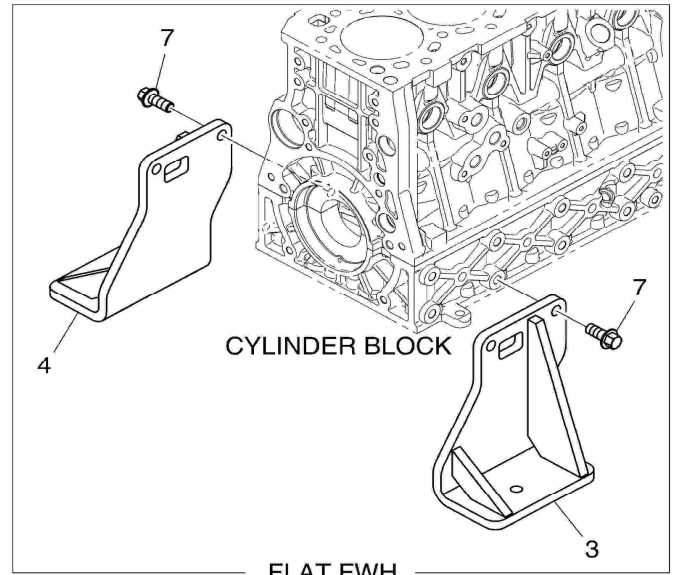
Key No	Part No.	Parts Name	Parts Name	Q'ty	S/C
1	430215-01986	FLANGE,FAN	FLANGE,FAN	1	
2	210101-00578	FAN,COOLING	FAN,COOLING	1	
3	210101-00579	FAN,COOLING	FAN,COOLING	1	
4	210101-00580	FAN,COOLING	FAN,COOLING	1	
5	120106-00690	BOLT,HEX FLANGE M8x1.25x93	BOLT,HEX FLANGE M8x1.25x93	4	
6	440211-01155D	RADIATOR ASSY	RADIATOR ASSY	1	
6-1	440211-01660	RADIATOR ASSY	RADIATOR ASSY	1	
6-2	110406-08967	BRACKET,RADIATOR	BRACKET,RADIATOR	1	
6-3	110406-08966	BRACKET,RADIATOR	BRACKET,RADIATOR	1	
6-4	180204-00384	RUBBER,MOUNT	RUBBER,MOUNT	1	
6-5	120106-01921	BOLT SET M8x1.25x35	BOLT SET M8x1.25x35	2	
6-6	120106-01922	BOLT SET M8x1.25x20	BOLT SET M8x1.25x20	2	
6-7	120305-00103	NUT,HEX FLANGE M10x1.25	NUT,HEX FLANGE M10x1.25	2	
6-8	110911-00644	CAP,FILLER	CAP,FILLER	1	
7	440211-01157D	RADIATOR ASSY	RADIATOR ASSY	1	
7-1	440211-01661	RADIATOR ASSY	RADIATOR ASSY	1	
7-2	110406-08968	BRACKET,RADIATOR	BRACKET,RADIATOR	1	
7-3	110406-08966	BRACKET,RADIATOR	BRACKET,RADIATOR	1	
7-4	180204-00384	RUBBER,MOUNT	RUBBER,MOUNT	1	
7-5	120106-01921	BOLT SET M8x1.25x35	BOLT SET M8x1.25x35	2	
7-6	120106-01922	BOLT SET M8x1.25x20	BOLT SET M8x1.25x20	2	
7-7	120305-00103	NUT,HEX FLANGE M10x1.25	NUT,HEX FLANGE M10x1.25	2	
7-8	110911-00644	CAP,FILLER	CAP,FILLER	1	
8	420109-01326	HOSE,COOLING WATER	HOSE,COOLING WATER	1	
9	420109-01327	HOSE,COOLING WATER	HOSE,COOLING WATER	1	
10	420109-01328	HOSE,COOLING WATER	HOSE,COOLING WATER	1	
11	120202-00234	CLAMP,HOSE	CLAMP,HOSE	2	
12	120202-00236	CLAMP,HOSE	CLAMP,HOSE	1	
13	120202-00236	CLAMP,HOSE	CLAMP,HOSE	1	
14	120202-00236	CLAMP,HOSE	CLAMP,HOSE	1	
15	90CM1030	BOLT,HEX FLANGE M10x1.5x30	BOLT,HEX FLANGE M10x1.5x30	4	

## P901 GENERAL ACCESSORIES-HEAD&COOLING

Key No	Part No.	Parts Name	Parts Name	Q'ty	S/C
16	90CM1030	BOLT,HEX FLANGE M10x1.5x30	BOLT,HEX FLANGE M10x1.5x30	2	
17	90CM1030	BOLT,HEX FLANGE M10x1.5x30	BOLT,HEX FLANGE M10x1.5x30	4	
18	89CM820	BOLT,HEX FLANGE M8x1.25x20	BOLT,HEX FLANGE M8x1.25x20	2	



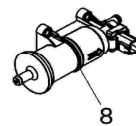
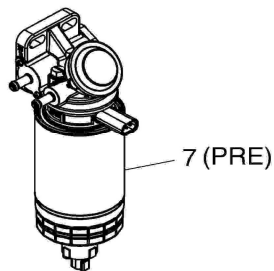
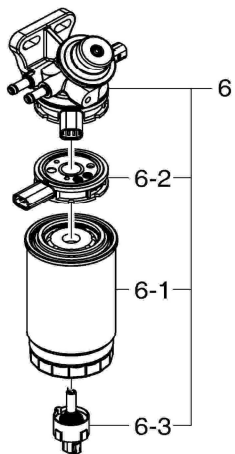
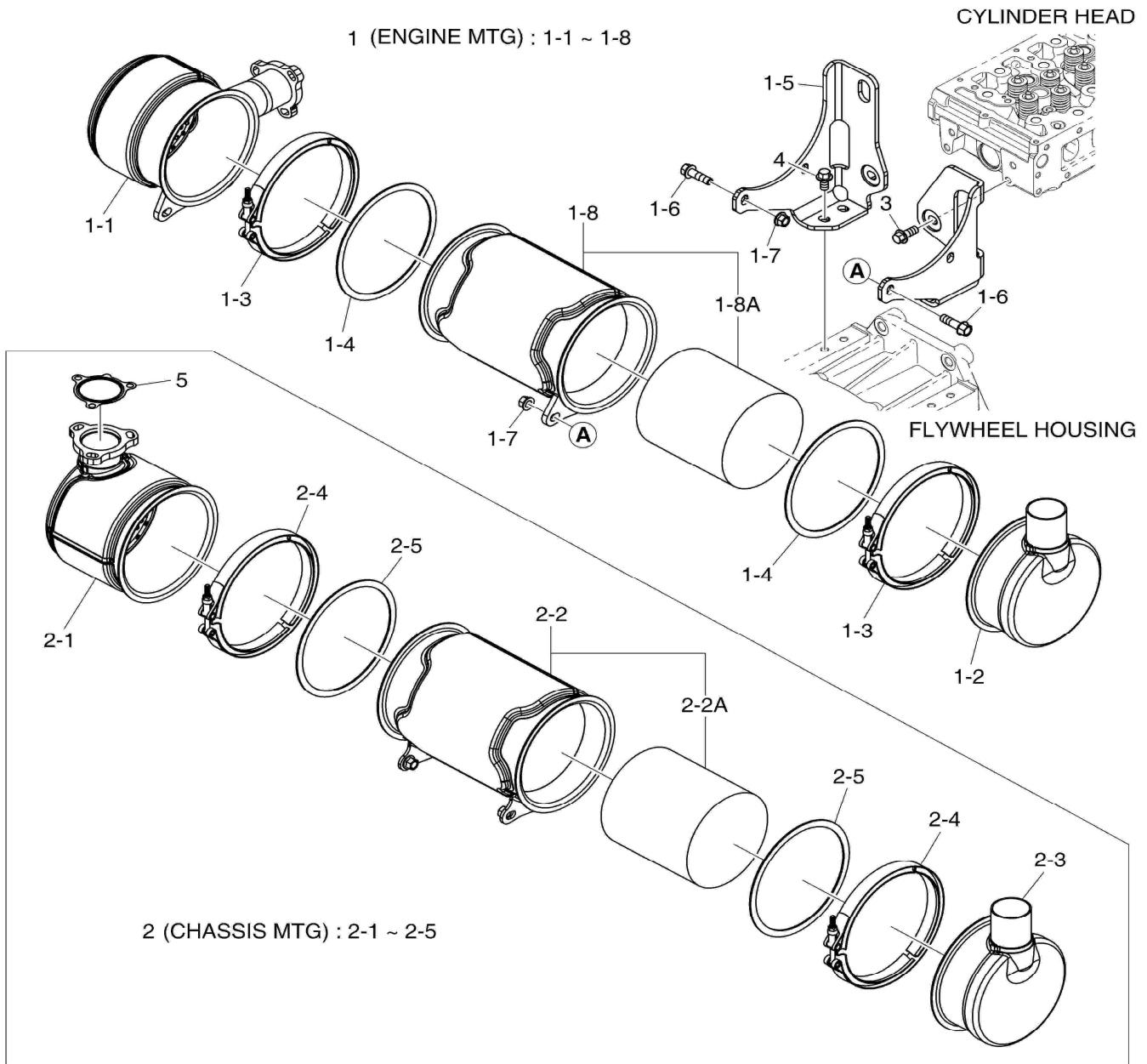
# P903 GENERAL ACCESSORIES-BLOCK&LUBRICATION



## P903 GENERAL ACCESSORIES-BLOCK&LUBRICATION

Key No	Part No.	Parts Name	Parts Name	Q'ty	S/C
1	400505-00119	FILTER ASSY,OIL	FILTER ASSY,OIL	1	
1-1	400505-00068B	HEAD ASSY,OIL FILTER	HEAD ASSY,OIL FILTER	1	
1-2	400508-00109	CARTRIDGE,OIL FILTER	CARTRIDGE,OIL FILTER	1	
1-3	430201-01220A	ADAPTER,HOSE	ADAPTER,HOSE	2	
2	110427-01069A	BRACKET,ENGINE MOUNTING	BRACKET,ENGINE MOUNTING	1	
3	110427-01083	BRACKET,ENGINE MOUNTING	BRACKET,ENGINE MOUNTING	1	
4	110427-01082	BRACKET,ENGINE MOUNTING	BRACKET,ENGINE MOUNTING	1	
5	110427-01072B	BRACKET,ENGINE MOUNTING	BRACKET,ENGINE MOUNTING	1	
6	90CM1230	BOLT,HEX FLANGE M12x1.75x30	BOLT,HEX FLANGE M12x1.75x30	6	
7	90CM1230	BOLT,HEX FLANGE M12x1.75x30	BOLT,HEX FLANGE M12x1.75x30	4	
8	90CM1230	BOLT,HEX FLANGE M12x1.75x30	BOLT,HEX FLANGE M12x1.75x30	8	
9	110427-01071A	BRACKET,ENGINE MOUNTING	BRACKET,ENGINE MOUNTING	2	
10	110508-38207	COVER,OIL COOLER	COVER,OIL COOLER	1	NS
10-1	110508-37237A	COVER,FILTER	COVER,FILTER	1	
10-2	06.22022-0906	PIN,PARALLEL	PIN,PARALLEL	1	
10-3	401109-00187	SEALRING,RUBBER	SEALRING,RUBBER	1	
10-4	430201-01220A	ADAPTER,HOSE	ADAPTER,HOSE	1	
11	430201-01624A	ADAPTER ASSY	ADAPTER ASSY	1	
11-1	430201-01265C	ADAPTER	ADAPTER	1	
11-2	401002-01170	O-RING	O-RING	1	
11-3	401002-01627	O-RING	O-RING	1	
12	110427-01290	BRACKET	BRACKET	1	
13	90CM1030	BOLT,HEX FLANGE M10x1.5x30	BOLT,HEX FLANGE M10x1.5x30	4	

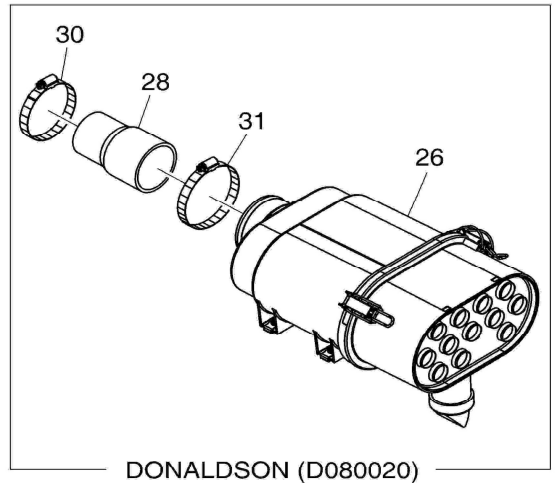
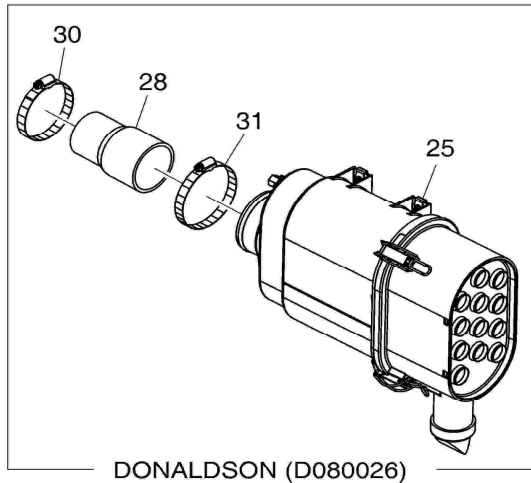
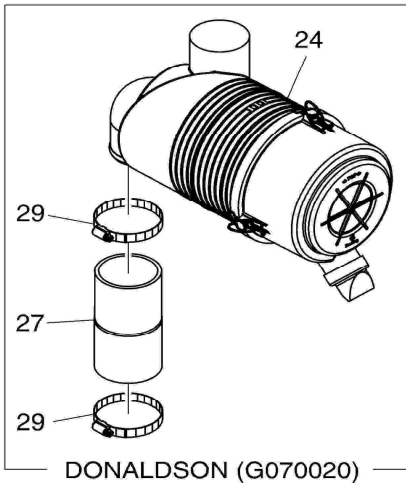
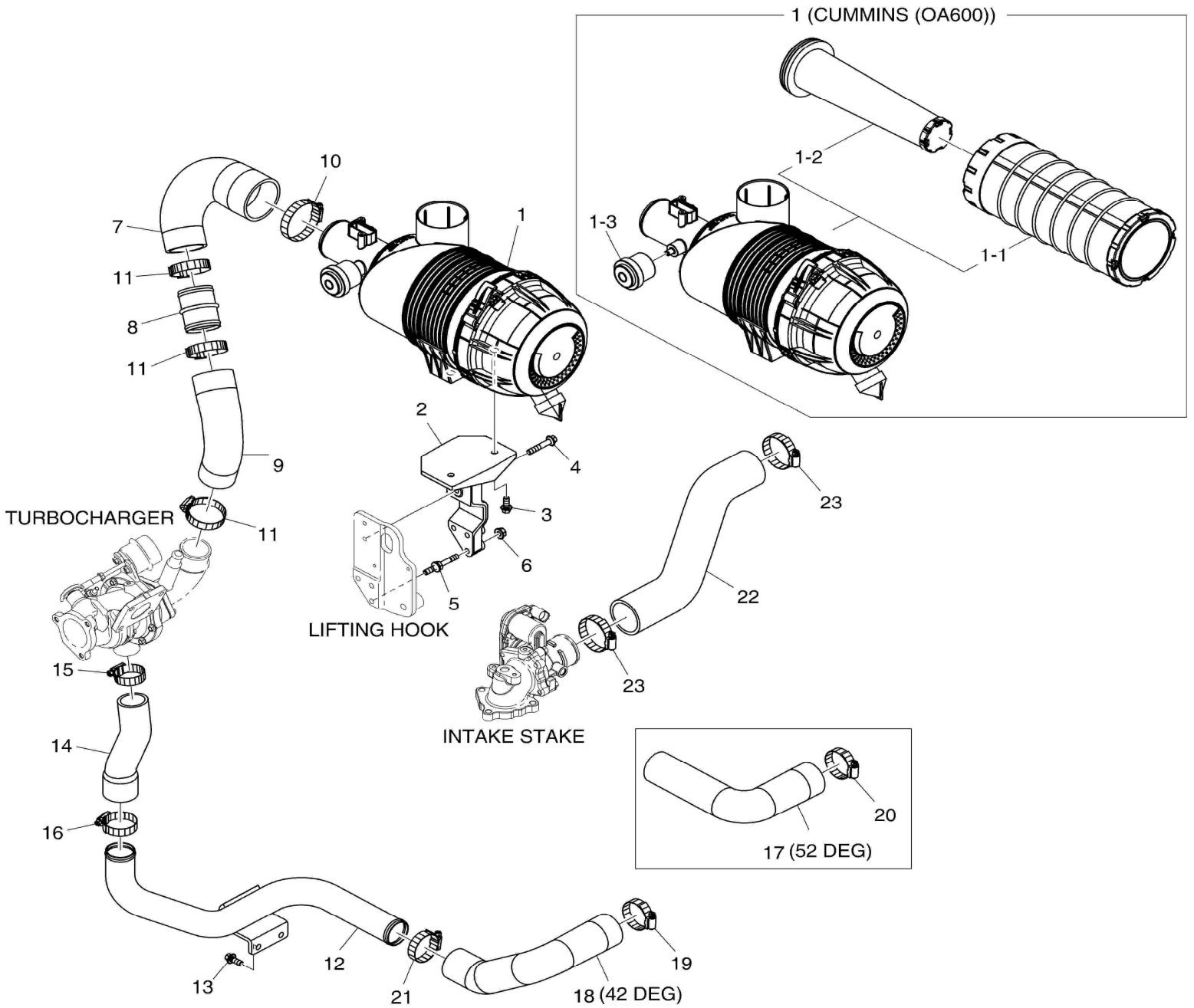
# P905 GENERAL ACCESSORIES-FIE&AFTER TREATMENT



## P905 GENERAL ACCESSORIES-FIE&AFTER TREATMENT

Key No	Part No.	Parts Name	Parts Name	Q'ty	S/C
1	240103-01352B	MUFFLER,CATALYTIC	MUFFLER,CATALYTIC	1	
1-1	240103-01474	MUFFLER,EXHAUST	MUFFLER,EXHAUST	1	
1-2	240103-01466	MUFFLER,EXHAUST	MUFFLER,EXHAUST	1	
1-3	120203-00951	CLAMP,MUFFLER	CLAMP,MUFFLER	2	
1-4	400612-00102	GASKET,FLANGE	GASKET,FLANGE	2	
1-5	110421-00195	BRACKET,MUFFLER MOUNTING	BRACKET,MUFFLER MOUNTING	1	
1-6	120106-01399	BOLT,HEX FLANGE M10x1.25x35	BOLT,HEX FLANGE M10x1.25x35	4	
1-7	120305-00086	NUT,HEX FLANGE M10x1.25	NUT,HEX FLANGE M10x1.25	4	
1-8	240103-01470A	MUFFLER,DOC	MUFFLER,DOC	1	
1-8A	500111-00165A	CATALYST,DIESEL OXIDATION	CATALYST,DIESEL OXIDATION	1	NS
2	240103-01353B	MUFFLER,CATALYTIC	MUFFLER,CATALYTIC	1	
2-1	240103-01475	MUFFLER,EXHAUST	MUFFLER,EXHAUST	1	
2-2	240103-01476A	MUFFLER,DOC	MUFFLER,DOC	1	
2-2A	500111-00165A	CATALYST,DIESEL OXIDATION	CATALYST,DIESEL OXIDATION	1	NS
2-3	240103-01466	MUFFLER,EXHAUST	MUFFLER,EXHAUST	1	
2-4	120203-00951	CLAMP,MUFFLER	CLAMP,MUFFLER	2	
2-5	400612-00102	GASKET,FLANGE	GASKET,FLANGE	2	
3	89CM1025	BOLT,HEX FLANGE M10x25	BOLT,HEX FLANGE M10x25	2	
4	89CM1020	BOLT,HEX FLANGE M10x20	BOLT,HEX FLANGE M10x20	4	
5	400629-00037	GASKET,TURBOCHARGER	GASKET,TURBOCHARGER	1	
6	400403-00617C	FILTER ASSY,FUEL (12V)	FILTER ASSY,FUEL (12V)	1	
6-1	400504-00476	ELEMENT,FUEL FILTER	ELEMENT,FUEL FILTER	1	
6-2	440207-00744	HEATER (12V)	HEATER (12V)	1	
6-3	410107-00056	VALVE,DRAIN	VALVE,DRAIN	1	
7	400403-00638	FILTER,FUEL PRE (12V)	FILTER,FUEL PRE (12V)	1	
8	400909-00347	PUMP,FUEL TRANSFER	PUMP,FUEL TRANSFER	1	
9	400825-00320	REGULATOR,PRESSURE	REGULATOR,PRESSURE	1	

# P906 GENERAL ACCESSORIES-INTAKE/EXHAUST



## P906 GENERAL ACCESSORIES-INTAKE/EXHAUST

Key No	Part No.	Parts Name	Parts Name	Q'ty	S/C
1	400414-00774	CLEANER ASSY,AIR	CLEANER ASSY,AIR	1	
1-1	400504-00390	ELEMENT,AIR CLEANER (PRIMARY)	ELEMENT,AIR CLEANER (PRIMARY)	1	
1-2	400504-00391	ELEMENT,AIR CLEANER...	ELEMENT,AIR CLEANER...	1	
1-3	800217-00162	INDICATOR,DUST	INDICATOR,DUST	1	
2	110401-00159A	BRACKET,AIR CLEANER MOUNTING	BRACKET,AIR CLEANER MOUNTING	1	
3	89CM820	BOLT,HEX FLANGE M8x1.25x20	BOLT,HEX FLANGE M8x1.25x20	2	
4	89CM845	BOLT,HEX FLANGE M8x1.25x45	BOLT,HEX FLANGE M8x1.25x45	2	
5	120122-00088	BOLT,SPACER	BOLT,SPACER	3	
6	43DM8	NUT M8x1.25	NUT M8x1.25	3	
7	420101-01884	HOSE,AIR	HOSE,AIR	1	
8	420206-00151	PIPE,HOSE FITTING	PIPE,HOSE FITTING	1	
9	420101-01905	HOSE,AIR	HOSE,AIR	1	
10	120202-00237	CLAMP,HOSE	CLAMP,HOSE	1	
11	120202-00236	CLAMP,HOSE	CLAMP,HOSE	3	
12	240401-00430	PIPE,AIR	PIPE,AIR	1	
13	89CM820	BOLT,HEX FLANGE M8x1.25x20	BOLT,HEX FLANGE M8x1.25x20	2	
14	420101-01885	HOSE,AIR	HOSE,AIR	1	
15	120202-00234	CLAMP,HOSE	CLAMP,HOSE	1	
16	120202-00235	CLAMP,HOSE	CLAMP,HOSE	1	
17	420101-01886	HOSE,AIR	HOSE,AIR	1	
18	420101-01890	HOSE,AIR	HOSE,AIR	1	
19	120202-00235	CLAMP,HOSE	CLAMP,HOSE	1	
20	120202-00235	CLAMP,HOSE	CLAMP,HOSE	1	
21	120202-00235	CLAMP,HOSE	CLAMP,HOSE	1	
22	420101-01887	HOSE,AIR	HOSE,AIR	1	
23	120202-00236	CLAMP,HOSE	CLAMP,HOSE	2	
24	400414-00783	CLEANER ASSY,AIR	CLEANER ASSY,AIR	1	
25	400414-00784	CLEANER ASSY,AIR	CLEANER ASSY,AIR	1	
26	400414-00785	CLEANER ASSY,AIR	CLEANER ASSY,AIR	1	
27	420101-01910	HOSE,AIR	HOSE,AIR	1	
28	420101-01911	HOSE,AIR	HOSE,AIR	1	

## P906 GENERAL ACCESSORIES-INTAKE/EXHAUST

Key No	Part No.	Parts Name	Parts Name	Q'ty	S/C
29	120202-00239	CLAMP,HOSE	CLAMP,HOSE	2	
30	120202-00239	CLAMP,HOSE	CLAMP,HOSE	1	
31	120202-00240	CLAMP,HOSE	CLAMP,HOSE	1	

# I N D E X



Part No.	PFG No.	Key No.	Part No.	PFG No.	Key No.	Part No.	PFG No.	Key No.
06.06225-0808	P305	3-3	110427-01072B	P903	5	110980-00365	P104	3
	P305	4-3	110427-01082	P903	4	111002-00247D	P602	3
	P305	5-3	110427-01083	P903	3	111002-00268C	P602	4
	P305	8-2	110427-01290	P903	12	111002-00276B	P603	20
06.06226-0705	P602	1-1	110452-00097	P705	3		P603	22
	P602	2-1	110452-00327	P705	4		P603	20
06.22022-0707	P202	1-8	110452-00329	P705	1		P603	22
06.22022-0906	P903	10-2	110452-00360	P705	8	111104-00043A	P402	2
06.22022-1009	P206	4	110452-00400	P705	9		P402	3-5
	P404	1-4	110508-13222	P301	1-8	111401-00002B	P404	6
	P404	2-4	110508-34630A	P301	5		P404	7-1
06.22022-1010	P305	7	110508-37237A	P903	10-1	111401-00023A	P404	7
06.22022-1110	P301	3	110508-38207	P903	10	111601-00128	P101	1-7
06.29020-0136	P805	4-2	110512-00094D	P206	1	111602-00120	P202	1-4
	P805	5-2	110512-00119B	P206	2	120106-00169A	P101	3
	P805	6-2	110512-00120A	P206	2-1	120106-00170	P407	7
06.29071-2508	P404	1-2	110512-00167A	P206	1-1	120106-00171B	P405	3
	P404	2-2	110531-00026	P805	3	120106-00200	P311	7-2
06.29141-0215	P204	1-4	110531-00029	P805	4-7		P311	11-2
06.56017-0309	P308	4-2		P805	5-7		P311	12-2
	P308	8-2		P805	6-7	120106-00239	P503	2
06.56180-0716	P603	10	110910-02260A	P311	5	120106-00418	P502	3
	P603	11	110910-02855	P501	3	120106-00589	P104	3-1B
	P603	12	110910-02856	P501	4	120106-00690	P901	5
	P603	10	110911-00161A	P102	1-2		P901	5
	P603	11		P206	1-3	120106-00993	P407	2
	P603	12		P206	2-4	120106-01317	P602	6
06.56190-0703	P309	4	110911-00644	P901	6-8		P603	21
101550-00060B	P604	6		P901	7-8		P603	23
110401-00159A	P906	2		P901	6-8		P603	21
110403-00230C	P801	4		P901	7-8		P603	23
110406-08966	P901	6-3	110917-01084A	P501	1-2	120106-01350	P602	1-4
	P901	7-3	110922-00008A	P101	1-3E		P602	2-4
	P901	6-3	110928-00800	P502	2	120106-01352	P602	1-5
	P901	7-3	110943-00011A	P101	1-1		P602	1-11
110406-08967	P901	6-2	110947-00771	P404	7-2		P602	2-5
	P901	6-2	110951-02080	P305	6		P602	2-11
110406-08968	P901	7-2	110970-00077E	P301	1-2	120106-01399	P905	1-6
	P901	7-2	110971-00040	P101	1-2	120106-01421	P202	1-5
110421-00195	P905	1-5	110978-00024	P805	4-5	120106-01921	P901	6-5
110424-00054	P202	1-2		P805	5-5		P901	7-5
110424-00055	P202	1-3		P805	6-5		P901	6-5
110427-01069A	P903	2	110980-00024H	P104	3-1		P901	7-5
110427-01071A	P903	9	110980-00100C	P104	3-1C	120106-01922	P901	6-6

Part No.	PFG No.	Key No.	Part No.	PFG No.	Key No.	Part No.	PFG No.	Key No.
	P901	7-6	120203-00951	P905	1-3		P407	12-1
	P901	6-6		P905	2-4	130428-00215C	P205	3-2
	P901	7-6	120305-00003	P701	2	130428-00216C	P205	3
120112-00080A	P301	1-3	120305-00083	P501	1-5	130601-00004C	P402	1
120112-00127A	P403	1-3	120305-00086	P905	1-7	130602-01780C	P402	3
120117-00191	P603	1-5	120305-00103	P901	6-7	130602-01961A	P402	3-1
	P603	2-5		P901	7-7	130707-00034	P103	6
	P603	3-5		P901	6-7	130711-00111B	P405	1
	P603	1-5		P901	7-7	130711-00305	P405	2
	P603	2-5	120307-00333	P704	1-1	130712-02583A	P205	1
	P603	3-5	120402-00043A	P105	3	130717-00003	P205	3-1
120117-00200B	P103	3	120402-00702A	P503	7-1	130807-00057B	P805	4
120117-00324	P301	4	120402-00767	P601	1-8	130807-00063A	P805	5
120122-00088	P906	5	120404-00045A	P306	2	130807-00066A	P805	6
120122-00091	P104	3-3	120404-00432B	P306	3	131002-00045	P403	1-2
120122-00097	P705	7	120501-00139	P301	2	131002-00996	P301	1-6
120202-00117	P601	1-4	120501-00660	P301	1-5	131002-00997	P301	1-7
120202-00118	P104	3-4	120503-00015	P202	1-9B	140101-01012	P805	4-1
120202-00119	P602	1-8		P202	1-10B		P805	5-1
	P602	2-8	120701-00078	P202	1-7		P805	6-1
120202-00122	P505	1-4	120703-00080	P603	13	140101-01297A	P206	2-3
120202-00129	P105	1-2		P603	14	140103-00179A	P404	3
	P105	2-2		P603	15	140103-00183A	P404	4
	P601	1-2		P603	13	140112-00134	P403	2
	P604	1-3		P603	14	140112-00136	P403	3
120202-00234	P901	11		P603	15	150101-00138	P202	1-9A
	P901	11	120705-01062	P301	6	150101-00139	P202	1-10A
	P906	15	120705-01586	P501	1-1C	150101-00260	P202	1-9
120202-00235	P906	16	120816-00236	P404	5	150101-00261	P202	1-10
	P906	19	120816-00246	P205	2	150102-00975M	P301	1
	P906	20	120816-00262A	P204	1-3	150102-01342	P301	1-1
	P906	21	130205-00512	P815	1	150103-00184B	P204	1-1
120202-00236	P901	12	130206-00037	P801	2	150103-00185D	P204	1
	P901	13	130408-00049	P204	1-2	150105-00919B	P603	1-1
	P901	14	130410-00003C	P404	1-3		P603	1-1
	P901	12		P404	2-3	150105-00921B	P603	2-1
	P901	13	130412-00252C	P501	1-4		P603	2-1
	P901	14	130412-00259	P805	4-4	150105-00922B	P603	3-1
	P906	11	130412-00275A	P805	5-4		P603	3-1
	P906	23	130412-00277A	P805	6-4	150105-01072C	P603	1
120202-00237	P906	10	130422-00049A	P407	1-1		P603	1
120202-00239	P906	29		P407	4-1	150105-01099B	P603	2
	P906	30		P407	5-1		P603	2
120202-00240	P906	31		P407	6-1	150105-01132B	P603	3

Part No.	PFG No.	Key No.	Part No.	PFG No.	Key No.	Part No.	PFG No.	Key No.
	P603	3	150125-00044	P203	2	310207-07769B	P705	10
150106-00274A	P102	1	180204-00384	P901	6-4	310207-07770A	P705	11
150106-00275B	P102	2-1		P901	7-4	36CM1080	P703	3
150106-00276A	P102	1-1		P901	6-4	400202-00265C	P602	1-3
150106-00414	P102	2		P901	7-4		P602	2-3
150107-00591	P404	1-1	210101-00578	P901	2	400206-00745B	P309	1-5
150107-00592	P404	1		P901	2	400403-00617C	P905	6
150107-00937A	P404	2	210101-00579	P901	3	400403-00638	P905	7
150107-00938A	P404	2-1		P901	3	400404-00109C	P309	1
150111-00265A	P407	12-2	210101-00580	P901	4	400414-00774	P906	1
150111-00267A	P407	12		P901	4	400414-00783	P906	24
150111-00381	P407	4	240102-00726A	P602	1-9	400414-00784	P906	25
150111-00382	P407	4-2	240102-00727A	P602	2-9	400414-00785	P906	26
150111-00383	P407	5	240102-00729C	P602	1	400504-00390	P906	1-1
150111-00384	P407	5-2	240102-00731C	P602	2	400504-00391	P906	1-2
150111-00498A	P407	6	240103-01352B	P905	1	400504-00476	P905	6-1
150111-00499A	P407	6-2	240103-01353B	P905	2	400505-00068B	P903	1-1
150111-00528	P407	1	240103-01466	P905	1-2	400505-00101A	P309	1-2
150111-00529	P407	1-2		P905	2-3	400505-00119	P903	1
150113-00648C	P101	1	240103-01470A	P905	1-8	400508-00109	P309	1-3
150113-00696C	P101	1-3	240103-01474	P905	1-1		P903	1-2
150113-00700B	P101	1-3A	240103-01475	P905	2-1	400602-00104A	P103	2
150113-01014	P101	1-3H	240103-01476A	P905	2-2	400602-00317C	P602	1-2
150114-00423	P305	8-1	240203-00304D	P601	1-1		P602	2-2
150114-00424	P305	3-1	240203-00375D	P601	1		P604	2
150114-00425	P305	4-1	240401-00100	P607	1-3	400602-01047	P805	1
150114-00426	P305	5-1	240401-00354C	P607	1-1	400602-01053	P604	5
150114-00433	P305	8	240401-00430	P906	12	400602-01162	P805	4-6
150114-00434	P305	4	240401-00446B	P607	1		P805	5-6
150114-00437	P305	3	300203-00021	P704	2		P805	6-6
150114-00438	P305	5	300516-00126C	P701	1	400602-01325	P602	1-10
150119-00680	P311	7-1	300618-00145	P713	1		P602	2-10
150119-00683	P311	12-1	300622-00036	P704	1	400603-00151	P101	2
150119-00689	P311	11-1	300738-00129	P104	3-1A	400606-00909	P104	3-1AA
150119-00847A	P311	7	300901-00183A	P703	1	400606-00910	P104	3-1D
150119-00916	P311	11	300901-00189A	P703	4	400607-00002A	P607	1-2
150119-00918	P311	12	301308-00971	P709	8		P607	2
150120-00088	P503	1	301308-01004	P709	3	400610-00052A	P602	5
150121-00110B	P403	1-1	301308-01133A	P709	5	400612-00102	P905	1-4
150121-00111D	P403	1	301309-00009	P503	1-1		P905	2-5
150122-00149	P202	1-1	301310-00088	P709	1	400617-00030	P601	2
150122-00150G	P202	1	301317-00014D	P104	3-6	400623-00029A	P603	1-2
150123-00199	P203	1	301318-00007A	P709	6		P603	2-2
150124-00033	P201	1	310101-00258	P505	1-3		P603	3-2

Part No.	PFG No.	Key No.	Part No.	PFG No.	Key No.	Part No.	PFG No.	Key No.
	P603	1-2		P308	3	420208-00831A	P503	5
	P603	2-2	401109-00164	P308	1-2	420208-00832A	P503	6
	P603	3-2	401109-00187	P903	10-3	420208-00833B	P503	7
400623-00034	P603	1-6	401112-00001	P101	1-4	420214-00694A	P308	5
	P603	2-6	410107-00056	P905	6-3	420214-00695A	P603	8
	P603	3-6	410112-00088	P101	1-5		P603	8
	P603	1-6	410112-00089	P101	1-6	420214-00697	P603	9
	P603	2-6	410116-01369C	P604	1-1		P603	9
	P603	3-6	410116-01769A	P604	1	420217-00590	P603	2-3
400629-00036	P603	4	410126-00116	P503	1-2		P603	3-3
	P603	5	410127-00310	P303	2		P603	2-3
	P603	4	410206-00004C	P101	1-3C		P603	3-3
	P603	5	410206-00190	P101	1-3D	420217-00591	P603	1-3
400629-00037	P603	16	420101-01884	P906	7		P603	1-3
	P603	17	420101-01885	P906	14	420218-00593C	P308	4
	P603	16	420101-01886	P906	17	420218-00594B	P308	4-1
	P603	17	420101-01887	P906	22	420218-00651B	P308	8-1
	P905	5	420101-01890	P906	18	420218-00757A	P308	8
400825-00320	P905	9	420101-01905	P906	9	420406-02167A	P311	4-1
400903-00223	P502	1	420101-01910	P906	27	420406-02169A	P311	4
400909-00347	P905	8	420101-01911	P906	28	430201-01220A	P903	1-3
400912-00569A	P501	1	420103-00471C	P505	1-2		P903	10-4
400912-00572	P501	1-1	420103-00505A	P505	1-1	430201-01265C	P903	11-1
400915-00408	P308	1	420103-00813	P505	1	430201-01624A	P903	11
400921-00566D	P103	1	420108-00048B	P104	3-5	430215-01787	P407	8
401002-00155A	P501	1-3	420108-01925B	P602	1-6	430215-01788	P407	9
401002-00677	P311	1		P602	2-6	430215-01986	P901	1
	P311	8	420108-01926	P602	1-7		P901	1
401002-01170	P903	11-2		P602	2-7	430218-00577	P303	1
401002-01173	P104	3-1F	420108-01927	P604	1-2	430221-00087	P311	3
401002-01627	P903	11-3	420108-01932A	P105	2-1		P311	9
401002-01912	P501	1-1A	420108-01934A	P105	1-1		P311	10
401002-01949	P309	1-6	420108-02312	P105	2	430221-00982	P104	3-1E
401002-01950A	P309	1-7	420108-02313	P105	1	430221-01559	P604	4
401002-02194	P309	1-8	420109-01326	P901	8	430221-01683	P101	1-3B
401002-02345	P501	1-1BA		P901	8	43DM6	P709	9
401002-02346	P501	1-1BB	420109-01327	P901	9	43DM8	P103	4
401004-00031	P402	3-4		P901	9		P104	1
401004-00073	P402	3-3	420109-01328	P901	10		P104	2
401004-00105	P402	3-2		P901	10		P603	6
401106-00569	P401	1	420109-01874	P601	1-7		P603	7
401106-00570	P206	1-2	420206-00151	P906	8		P603	18
	P206	2-2	420208-00829A	P503	3		P603	19
401109-00162	P308	1-1	420208-00830A	P503	4		P603	6

Part No.	PFG No.	Key No.	Part No.	PFG No.	Key No.	Part No.	PFG No.	Key No.
	P603	7		P309	1-4	90CM1045	P305	1
	P603	18		P705	2	90CM1065	P801	3
	P603	19	89CM620	P102	2-2	90CM1230	P903	6
	P906	6		P709	7		P903	7
440207-00744	P905	6-2	89CM816	P103	7		P903	8
440211-01155D	P901	6		P204	2	92CM616	P603	1-4
	P901	6		P308	6		P603	2-4
440211-01157D	P901	7		P705	6		P603	3-4
	P901	7	89CM820	P306	4		P603	24
440211-01660	P901	6-1		P604	7		P603	1-4
	P901	6-1		P805	2		P603	2-4
440211-01661	P901	7-1		P805	7		P603	3-4
	P901	7-1		P901	18		P603	24
460102-00071	P309	1-9		P901	18	950212-03967	P102	3
500111-00165A	P905	1-8A		P906	3			
	P905	2-2A		P906	13			
65.90020-0062B	P805	4-3	89CM825	P407	10			
	P805	5-3		P407	11			
	P805	6-3		P601	1-6			
65.90302-0032	P101	1-3G		P604	1-4			
65.90302-0041	P301	1-10		P607	1-4			
65.90302-0045	P101	1-3F		P607	3			
65.90302-0048	P301	1-9		P801	1			
65.90535-0003	P501	2	89CM830	P206	3			
65.96401-0007	P305	3-2		P301	1-4			
	P305	4-2	89CM835	P308	7			
	P305	5-2		P604	3			
65.96501-0107	P311	4-2	89CM840	P308	2			
65.96501-0431	P503	1-2A		P703	2			
800108-00065E	P311	6	89CM845	P906	4			
800215-00127	P501	1-1B	89CM855	P103	5			
800217-00162	P906	1-3		P104	3-2			
89CM1020	P306	1		P202	1-6			
	P905	4		P601	1-5			
89CM1025	P905	3	89CM880	P309	2			
89CM1055	P205	4	90CM1030	P305	2			
89CM612	P311	2		P305	9			
	P503	8		P901	15			
	P601	1-3		P901	16			
	P705	5		P901	17			
	P705	12		P901	15			
	P709	2		P901	16			
	P709	4		P901	17			
89CM616	P309	1-1		P903	13			

